



**Distributor of Molex Connector Corporation: Excellent Integrated System Limited**  
Datasheet of 0444751421 - Connector Receptacle 14 Position 0.165" (4.20mm) Tin Through Hole

Contact us: [sales@integrated-circuit.com](mailto:sales@integrated-circuit.com) Website: [www.integrated-circuit.com](http://www.integrated-circuit.com)

---

## **Excellent Integrated System Limited**

Stocking Distributor

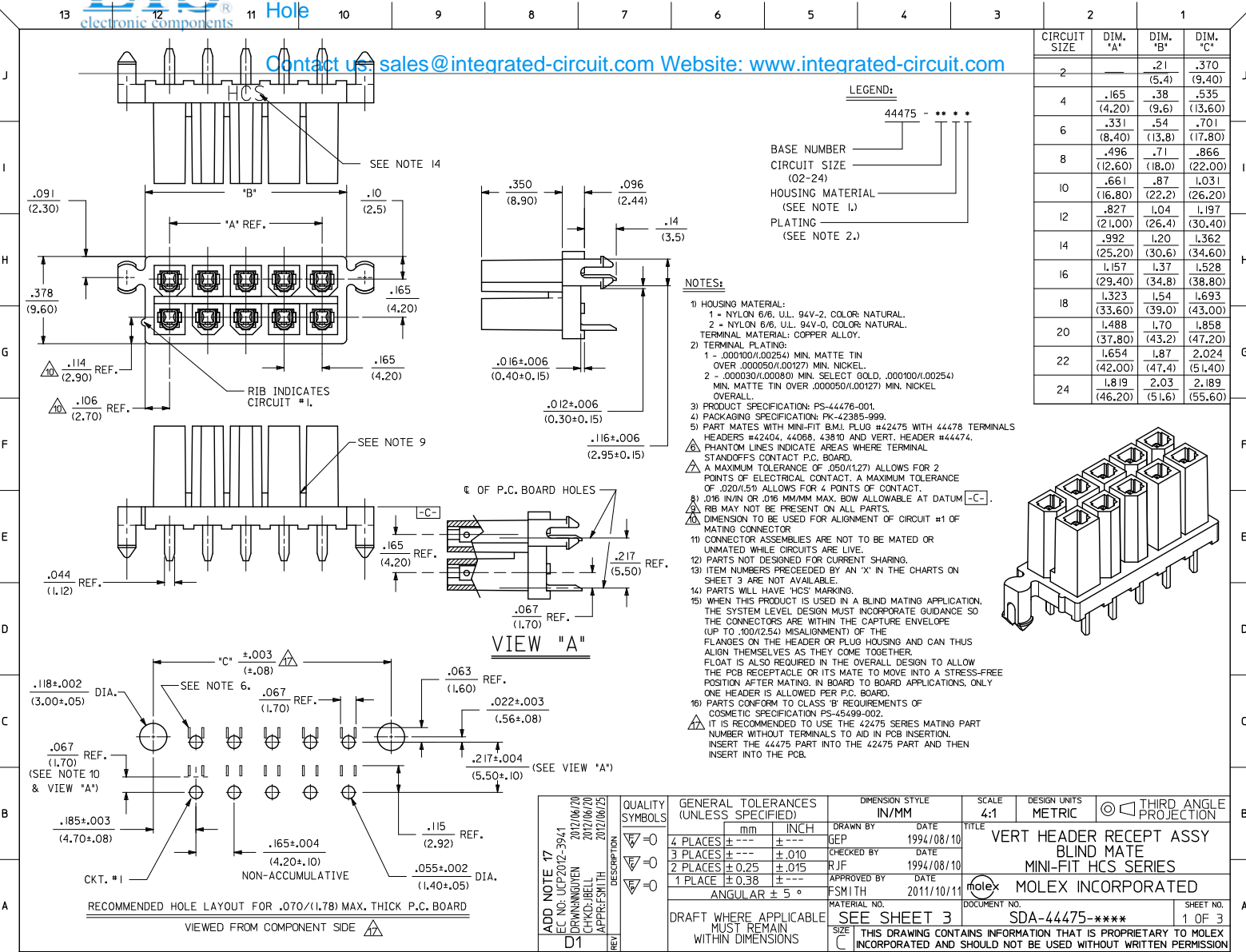
Click to view price, real time Inventory, Delivery & Lifecycle Information:

[Molex Connector Corporation](#)  
[0444751421](#)

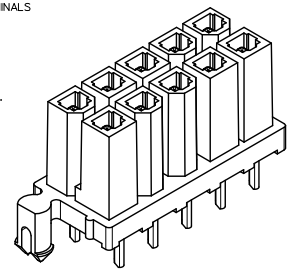
For any questions, you can email us directly:  
[sales@integrated-circuit.com](mailto:sales@integrated-circuit.com)

Hole

Contact us: sales@integrated-circuit.com Website: www.integrated-circuit.com



CIRCUIT SIZE	DIM. 'A'	DIM. 'B'	DIM. 'C'
2		.21 (5.4)	.370 (9.40)
4	.165 (4.20)	.38 (9.6)	.535 (13.60)
6	.331 (8.40)	.54 (13.8)	.701 (17.80)
8	.496 (12.60)	.71 (18.0)	.866 (22.00)
10	.661 (16.80)	.87 (22.2)	1.031 (26.20)
12	.827 (21.00)	1.04 (26.4)	1.197 (30.40)
14	.992 (25.20)	1.20 (30.6)	1.362 (34.60)
16	1.157 (29.40)	1.37 (34.8)	1.528 (38.80)
18	1.323 (33.60)	1.54 (39.0)	1.693 (43.00)
20	1.488 (37.80)	1.70 (43.2)	1.858 (47.20)
22	1.654 (42.00)	1.87 (47.4)	2.024 (51.40)
24	1.819 (46.20)	2.03 (51.6)	2.189 (55.60)

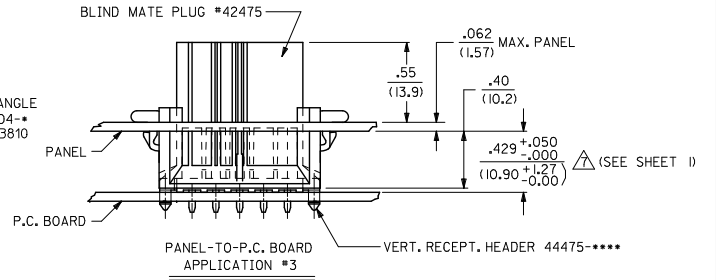
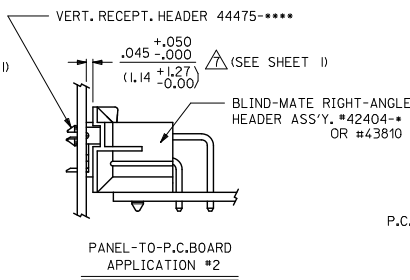
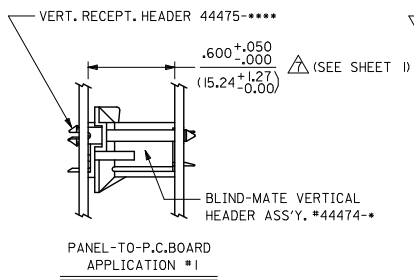
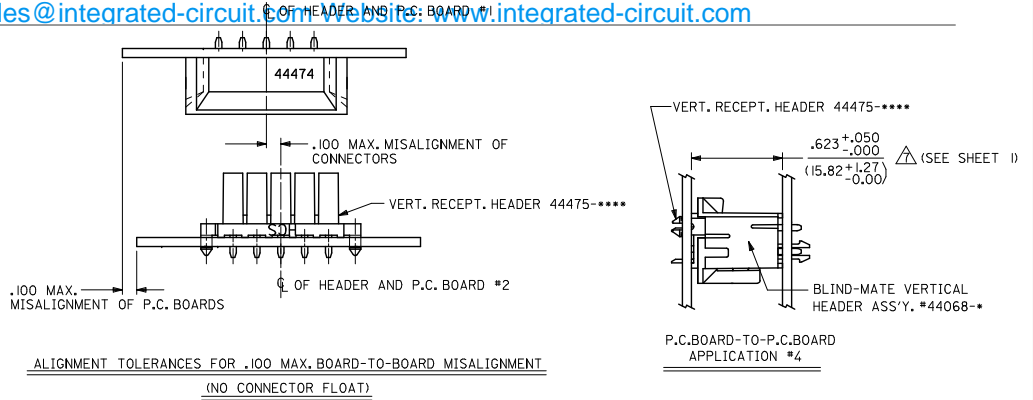


QUALITY SYMBOLS	GENERAL TOLERANCES (UNLESS SPECIFIED)		DIMENSION STYLE		SCALE	DESIGN UNITS	THIRD ANGLE PROJECTION
	mm	INCH	IN/MM	DATE			
∇=0	4 PLACES ± .005	± .005	GEP	1994/08/10	4:1	METRIC	VERT HEADER RECEPT ASSY BLIND MATE MINI-FIT HCS SERIES
	3 PLACES ± .010	± .010	CHECKED BY	DATE			
∇=0	2 PLACES ± 0.25	± .015	RJF	1994/08/10	MATERIAL NO.	DOCUMENT NO.	SHEET NO.
∇=0	1 PLACE ± 0.38	± .015	APPROVED BY	DATE			
	ANGULAR ± 5°		FSM1TH	2011/10/11	SEE SHEET 3		

**DRAFT WHERE APPLICABLE MUST REMAIN WITHIN DIMENSIONS**

**THIS DRAWING CONTAINS INFORMATION THAT IS PROPRIETARY TO MOLEX INCORPORATED AND SHOULD NOT BE USED WITHOUT WRITTEN PERMISSION**

Contact us: [sales@integrated-circuit.com](mailto:sales@integrated-circuit.com) Website: [www.integrated-circuit.com](http://www.integrated-circuit.com)



SEE NOTE 15

<b>SEE SHEET 1</b> EC NO: UCP2012-3941 DRAWING NO: 2012/06/20 CHKD: BELL APPR: SMITH 2012/06/25	QUALITY SYMBOLS ∇=0 ∇=0 ∇=0	GENERAL TOLERANCES (UNLESS SPECIFIED)		DIMENSION STYLE IN/MM		SCALE 4:1	DESIGN UNITS METRIC	THIRD ANGLE PROJECTION	
		4 PLACES ± --- ± ---	3 PLACES ± --- ± .010	DRAWN BY GEP	DATE 1994/08/10	TITLE VERT HEADER RECEPT ASSY BLIND MATE MINI-FIT HCS SERIES			
		2 PLACES ± 0.25 ± .015	1 PLACE ± 0.38 ± ---	CHECKED BY RJF	DATE 1994/08/10	MOLEX INCORPORATED			
		ANGULAR ± 5°		APPROVED BY FSMITH	DATE 2011/10/11	MATERIAL NO. SEE SHEET 3	DOCUMENT NO. SDA-44475-****	SHEET NO. 2 OF 3	
DRAFT WHERE APPLICABLE MUST REMAIN WITHIN DIMENSIONS		THIS DRAWING CONTAINS INFORMATION THAT IS PROPRIETARY TO MOLEX INCORPORATED AND SHOULD NOT BE USED WITHOUT WRITTEN PERMISSION							



Distributor of Molex Connector Corporation: Excellent Integrated System Limited  
 Datasheet of 0444751421 - Connector Receptacle 14 Position 0.165" (4.20mm) Tin Through

Hole

Contact us: sales@integrated-circuit.com Website: www.integrated-circuit.com

	13	12	11	10	9	8	7	6	5	4	3	2	1
	ITEM NUMBER	CKT. SIZE	HOUSING MATERIAL	PLATING (SEE NOTE 2)	ITEM NUMBER	CKT. SIZE	HOUSING MATERIAL	PLATING (SEE NOTE 2)					
J	X 44475-0211	2	94V-2		X 44475-0222	2	94V-0						
	↑ -0411	4	↑	↑	X ↑ -0422	4	↑	↑					
	-0611	6			X -0622	6							
I	X -0811	8			X -0822	8							
	-1011	10			X -1022	10							
	X -1211	12			X -1222	12							
	-1411	14			X -1422	14							
H	X -1611	16			X -1622	16							
	-1811	18			X -1822	18							
	X -2011	20			X -2022	20							
	↓ -2211	22	↓	↓	X ↓ -2222	22	↓	↓					
	44475-2411	24	94V-2	I	X 44475-2422	24	94V-0	2					
G	X 44475-0221	2	94V-0	I									
	↑ -0421	4	↑	↑									
	-0621	6											
F	X -0821	8											
	-1021	10											
	X -1221	12											
	-1421	14											
E	-1621	16											
	-1821	18											
	X -2021	20											
	↓ -2221	22	↓	↓									
	44475-2421	24	94V-0	I									

ITEM. NO.	CKT. SIZE	HSG. MAT'L.	TERMINAL PLATING REQUIRED AT EACH CIRCUIT LOCATION:																								
			1	2	3	4	5	6	7	8	9	10	11	12	13	14	15	16	17	18	19	20	21	22	23	24	
44475-3000	24	94V-0	1	1	-	1	-	1	-	1	-	1	1	1	1	1	1	-	1	-	1	-	1	-	1	1	1

ITEMS PRECEDED BY \*X\* ARE NOT AVAILABLE.

SEE SHEET 1 EC NO: UCP2072-3941 2017/06/20 DRAWING/EN CHKD: BELL 2017/06/20 APPROV: SMITH 2017/06/25	QUALITY SYMBOLS 	GENERAL TOLERANCES (UNLESS SPECIFIED)		DIMENSION STYLE		SCALE	DESIGN UNITS	THIRD ANGLE PROJECTION	
				IN/MM		1:1	METRIC		
		4 PLACES ± --- ± ---		DRAWN BY		DATE		TITLE	
		3 PLACES ± --- ± .010		GEP		1994/08/10		VERT HEADER RECEPT ASSY BLIND MATE MINI-FIT HCS SERIES	
2 PLACES ± 0.25 ± .015		CHECKED BY		DATE		MOLEX INCORPORATED			
1 PLACE ± 0.38 ± ---		R/JF		1994/08/10					
ANGULAR ± 5 °		APPROVED BY		DATE					
		F/SMITH		2011/10/11					
DRAFT WHERE APPLICABLE MUST REMAIN WITHIN DIMENSIONS		MATERIAL NO.		DOCUMENT NO.		SHEET NO.			
		SEE CHART		SDA-44475-****		3 OF 3			
		SIZE C		THIS DRAWING CONTAINS INFORMATION THAT IS PROPRIETARY TO MOLEX INCORPORATED AND SHOULD NOT BE USED WITHOUT WRITTEN PERMISSION					

1b_frame_C_P_AM_T Rev. F 2009/06/18	12	11	10	9	8	7	6	5	4	3	2	1
--	----	----	----	---	---	---	---	---	---	---	---	---