

Excellent Integrated System Limited

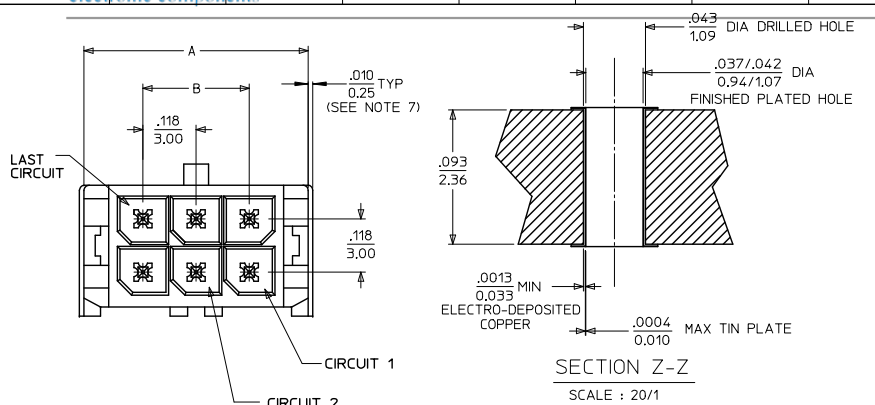
Stocking Distributor

Click to view price, real time Inventory, Delivery & Lifecycle Information:

[Molex Connector Corporation](#)
[0449145403](#)

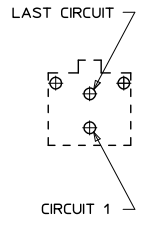
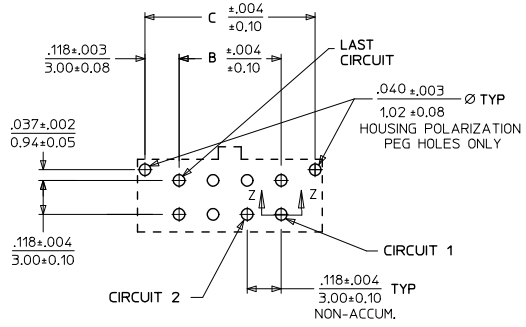
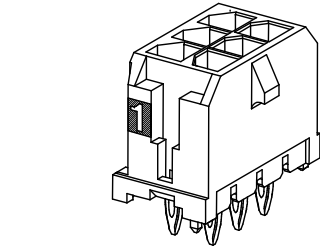
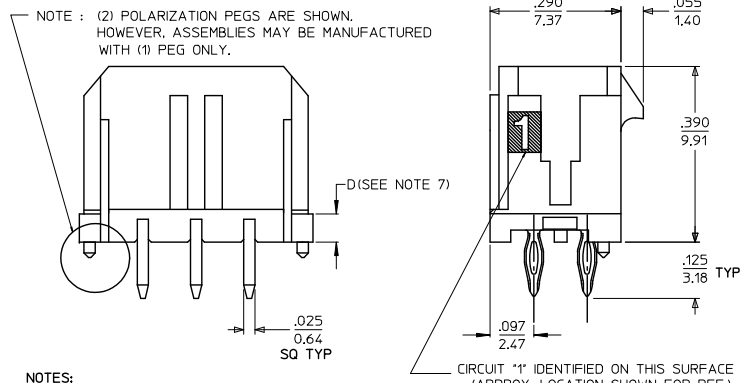
For any questions, you can email us directly:
sales@integrated-circuit.com

13 12 11 10 9 8 7 6 5 4 3 2 1



CKTS	FINISH: A			FINISH: B			FINISH: C		
	MATERIAL NO:	MATERIAL NO:	MATERIAL NO:	MATERIAL NO:	MATERIAL NO:	MATERIAL NO:	MATERIAL NO:	MATERIAL NO:	
02	44914-0201	44914-5202	44914-5203						
04	44914-0401	44914-5402	44914-5403						
06	44914-0601	44914-5602	44914-5603						
08	44914-0801	44914-5802	44914-5803						
10	44914-1001	44914-6002	44914-6003						
12	44914-1201	44914-6202	44914-6203						
14	44914-1401	44914-6402	44914-6403						
16	44914-1601	44914-6602	44914-6603						
18	44914-1801	44914-6802	44914-6803						
20	44914-2001	44914-7002	44914-7003						
22	44914-2201	44914-7202	44914-7203						
24	44914-2401	44914-7402	44914-7403						

CKTS	FINISH: A			FINISH: B			FINISH: C		
	MATERIAL NO:	MATERIAL NO:	MATERIAL NO:	MATERIAL NO:	MATERIAL NO:	MATERIAL NO:	MATERIAL NO:	MATERIAL NO:	
02	.262	NA	.236						
04	.380	.118	.354						
06	.498	.236	.472						
08	.616	.354	.591						
10	.734	.472	.709						
12	.852	.591	.827						
14	.970	.709	.945						
16	1.088	.827	1.063						
18	1.206	.945	1.181						
20	1.325	1.063	1.299						
22	1.443	1.181	1.417						
24	1.561	1.299	1.535						



- NOTES:**
- HOUSING MATERIAL: GLASS FILLED LIQUID CRYSTAL POLYMER, UL94V-0, COLOR: BLACK
 - TERMINAL MATERIAL: MODIFIED TIN/BRASS ALLOY
 - FINISH: A = .000200/(0.0051) MIN. TIN OVER .000050/(0.0013) MIN. NICKEL PLATE.
 - B = .00015/(0.00038) MINIMUM GOLD IN SELECTIVE AREA, .000100/(0.00254) MINIMUM MATTE TIN ON PCB TAILS, BOTH OVER .000050/(0.00127) MINIMUM NICKEL PLATE.
 - C = .000030/(0.00076) MINIMUM GOLD IN SELECTIVE AREA, .000100/(0.00254) MINIMUM MATTE TIN ON PCB TAILS, BOTH OVER .000050/(0.00127) MINIMUM NICKEL PLATE.
 - PRODUCT SPECIFICATION: PS-43045
 - TRAY PACKAGED: SEE MOLEX DRAWING PK-70873-0314
 - MATES WITH MICRO FIT (3.0) RECEPTACLE SERIES 43025
 - HEADER INSTALLATION REQUIRES A MINIMUM FORCE OF 24LBS/(107 N) PER CIRCUIT DISTRIBUTED EQUALLY ACROSS THE ENTIRE HOUSING SURFACE.
 - CIRCUIT SIZES 2-6: 'D' IS 0.265/6.74 FOR .010/0.25 STEP. CIRCUIT SIZES 8-24: 'D' IS 0.063/1.60 FOR .010/0.25 STEP.
 - THIS PART CONFORMS TO CLASS B REQUIREMENTS OF COSMETIC SPECIFICATION PS-45499-002.

PCB LAYOUT: COMPONENT SIDE
RECOMMEND PCB THICKNESS: .093/2.36

PCB LAYOUT: 2 CKT HEADER

ADD TIN P/NS	REV	DESCRIPTION	QUALITY SYMBOLS	GENERAL TOLERANCES (UNLESS SPECIFIED)		DIMENSION STYLE		SCALE	DESIGN UNITS	THIRD ANGLE PROJECTION	
				mm	INCH	IN/MM	DATE				
4 PLACES ±				±.010	±.014	DRAWN BY	DATE	---	METRIC	MICRO FIT HEADER VERTICAL COMPLIANT PIN TRAY PACKED, LEAD-FREE	
3 PLACES ±				±.010	±.014	CHECKED BY	DATE				
2 PLACES ±				±.010	±.014	APPROVED BY	DATE			molex	
1 PLACE ±				±.010	±.014	SMITH	2005/04/28				
0 PLACE ±				±.010	±.014	MATERIAL NO. DOCUMENT NO.				SHEET NO.	
ANGULAR ±1/2°				DRAFT WHERE APPLICABLE MUST REMAIN WITHIN DIMENSIONS				SEE CHART		SD-44914-002	1 OF 1

12 11 10 9 8 7 6 5 4 3 2 1