

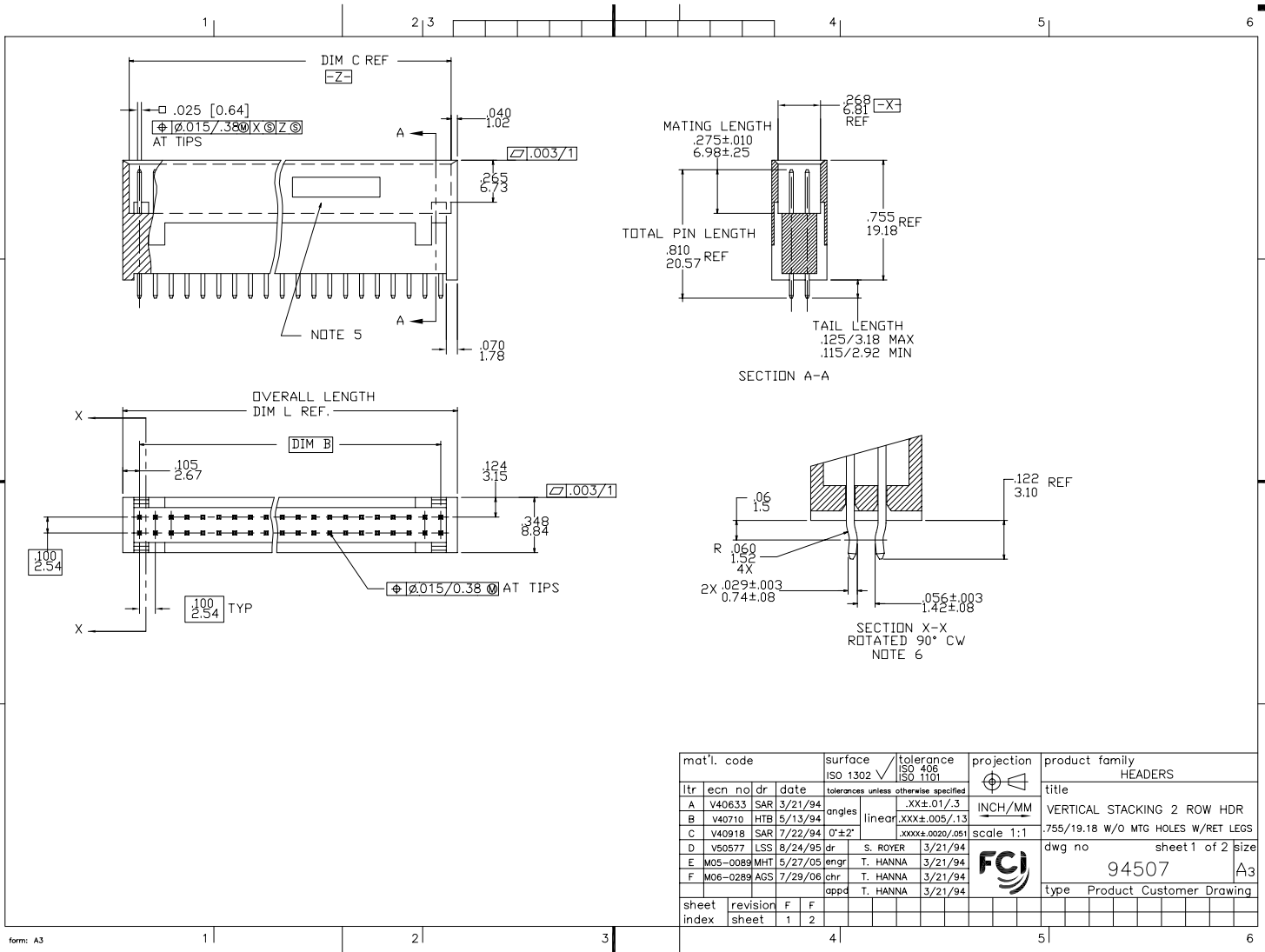
Excellent Integrated System Limited

Stocking Distributor

Click to view price, real time Inventory, Delivery & Lifecycle Information:

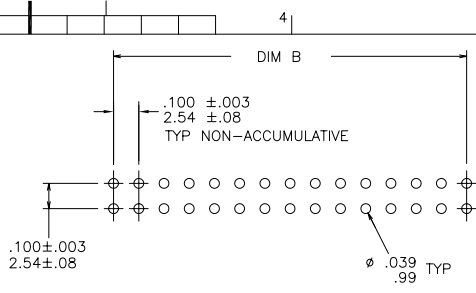
[FCI](#)
[94507-016HLF](#)

For any questions, you can email us directly:
sales@integrated-circuit.com



mat'l. code		surface	tolerance	projection	product family
		ISO 1302	ISO 406	ISO 1101	HEADERS
ltr	ecr no	dr	date	tolerances unless otherwise specified	title
A	V40633	SAR	3/21/94	angles .XX ± .01 / .3	VERTICAL STACKING 2 ROW HDR
B	V40710	HTB	5/13/94	linear .XXX ± .005 / .13	.755/19.18 w/o MTG HOLES W/RET LEGS
C	V40918	SAR	7/22/94	0° ± 2' .XXXX ± .0020 / .051	dwg no 94507 sheet 1 of 2 size A3
D	V50577	LSS	8/24/95	dr S. ROYER 3/21/94	type Product Customer Drawing
E	M05-0089	MHT	5/27/05	enr T. HANNA 3/21/94	
F	M06-0289	AGS	7/29/06	chr T. HANNA 3/21/94	
				appd T. HANNA 3/21/94	
sheet	revision	F	F		
index	sheet	1	2		

PART NO. NOTE 7	SIZE	DIM B	DIM C	DIM L
94507-001	2X5	.400/10.16	.53/13.5	.61/15.5
-002	2X6	.500/12.70	.63/16.0	.71/18.0
-003	2X7	.600/15.24	.73/18.5	.81/20.6
-004	2X8	.700/17.78	.83/21.1	.91/23.1
-005	2X9	.800/20.32	.93/23.6	1.01/25.7
-006	2X10	.900/22.86	1.03/26.2	1.11/28.2
-007	2X11	1.000/25.40	1.13/28.7	1.21/30.7
-008	2X12	1.100/27.94	1.23/31.2	1.31/33.3
-009	2X13	1.200/30.48	1.33/33.8	1.41/35.8
-010	2X14	1.300/33.02	1.43/36.3	1.51/38.4
-011	2X15	1.400/35.56	1.53/38.9	1.61/40.9
-012	2X16	1.500/38.10	1.63/41.4	1.71/43.4
-013	2X17	1.600/40.64	1.73/43.9	1.81/46.0
-014	2X18	1.700/43.18	1.83/46.5	1.91/48.5
-015	2X19	1.800/45.72	1.93/49.0	2.01/51.1
-016	2X20	1.900/48.26	2.03/51.6	2.11/53.6
-017	2X21	2.000/50.80	2.13/54.1	2.21/56.1
-018	2X22	2.100/53.34	2.23/56.6	2.31/58.7
-019	2X23	2.200/55.88	2.33/59.2	2.41/61.2
-020	2X24	2.300/58.42	2.43/61.7	2.51/63.8
-021	2X25	2.400/60.96	2.53/64.3	2.61/66.3
-022	2X26	2.500/63.50	2.63/66.8	2.71/68.8
-023	2X27	2.600/66.04	2.73/69.3	2.81/71.4
-024	2X28	2.700/68.58	2.83/71.9	2.91/73.9
-025	2X29	2.800/71.12	2.93/74.4	3.01/76.5
-026	2X30	2.900/73.66	3.03/77.0	3.11/79.0
-027	2X31	3.000/76.20	3.13/79.5	3.21/81.5
-028	2X32	3.100/78.74	3.23/82.0	3.31/84.1
-029	2X33	3.200/81.28	3.33/84.6	3.41/86.6
-030	2X34	3.300/83.82	3.43/87.1	3.51/89.2
-031	2X35	3.400/86.36	3.53/89.7	3.61/91.7
94507-032	2X36	3.500/88.90	3.63/92.2	3.71/94.2



RECOMMENDED PC BOARD LAYOUT
SCALE 2X

NOTES:

- MOLDING MATERIAL: 20% MIN GLASS FILLED NYLON PER UL 94V-0. COLOR-BLACK
- TERMINAL MATERIAL: 3/4 HARD PHOS BRONZE ALLOY UNS C51000
- TERMINAL PLATING: 30u"/.76u GXT OVER 50u"/1.27u MIN Ni
- PIN RETENTION TO BE 3 LBS/1.4KG MIN PER PIN IN EITHER DIRECTION.
- LOGO TO BE MOLDED IN APPROX LOCATION SHOWN.
- RETENTION FEATURE (KINK LOCATED ON BOTH ENDS) 4 PINS TOTAL
- ADD "LF" SUFFIX AT THE END OF PART NUMBER FOR LEAD FREE OPTION.
- THE HOUSING WILL WITHSTAND EXPOSURE TO 260°C PEAK TEMPERATURE FOR 15 SECONDS IN A WAVE SOLDER APPLICATION WITH A 1.5mm MINIMUM THICK CIRCUIT BOARD. SEE APPLICATION NOTES/PROCEDURES IF THEY ARE AVAILABLE.
- IF "LF" P/N THE PRODUCT MEETS EUROPEAN UNION DIRECTIVES AND OTHER COUNTRY REGULATION AS DESCRIBED IN GS-22-008.

mat'l. code		surface	tolerance	projection	product family
ISO 1302		ISO 406	ISO 1101		HEADERS
tolerances unless otherwise specified					title
ltr	ecn	no	dr	date	VERTICAL STACKING 2 ROW HDR
F					.755/19.18 W/O MTG HOLES W/RET LEGS
		angles	linear	scale	1:1
		0°±2'	.XX±.01/.3		scale 1:1
			.XXX±.005/.13		scale 1:1
			.XXXX±.0020/.051		scale 1:1
		dr	S. ROYER	3/21/94	dwg no
		enr	T. HANNA	3/21/94	sheet 2 of 2
		chr	T. HANNA	3/21/94	size
		appd	T. HANNA	3/21/94	A3
					type Product Customer Drawing
sheet index	revision sheet				