



**Distributor of FCI: Excellent Integrated System Limited**

Datasheet of DBL5W5S300H40LF - D-Sub Connector Receptacle, Female Sockets 5 (Power)  
Position Through Hole Solder

Contact us: [sales@integrated-circuit.com](mailto:sales@integrated-circuit.com) Website: [www.integrated-circuit.com](http://www.integrated-circuit.com)

---

## **Excellent Integrated System Limited**

Stocking Distributor

Click to view price, real time Inventory, Delivery & Lifecycle Information:

[FCI](#)

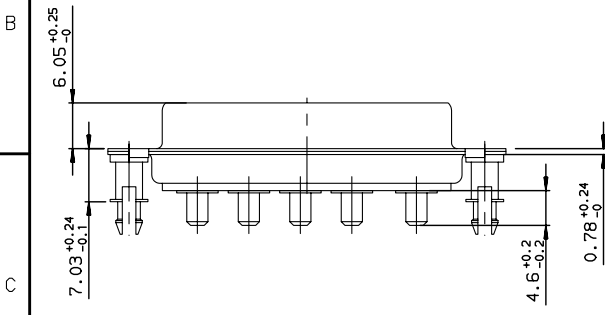
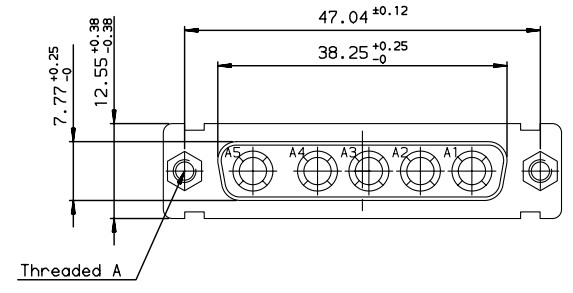
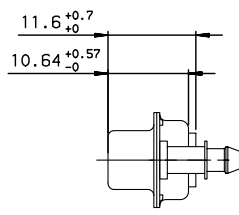
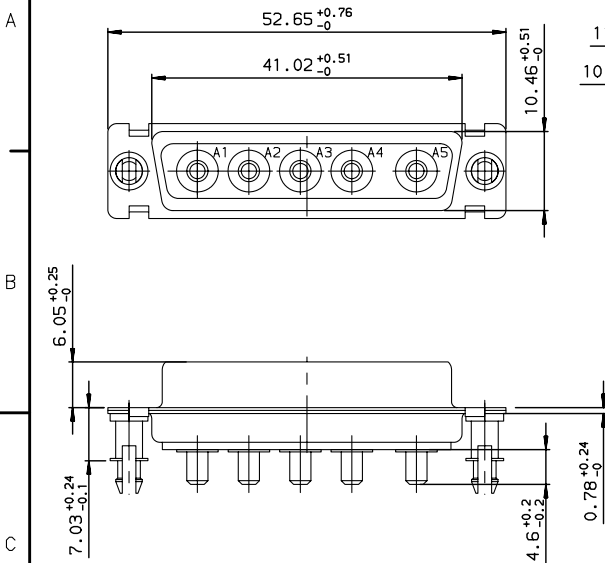
[DBL5W5S300H40LF](#)

For any questions, you can email us directly:

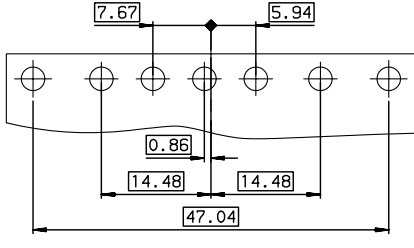
[sales@integrated-circuit.com](mailto:sales@integrated-circuit.com)

Contact us: [sales@integrated-circuit.com](mailto:sales@integrated-circuit.com) Website: [www.integrated-circuit.com](http://www.integrated-circuit.com)

GENERAL CHARACTERISTICS : SEE DRAWING C01-8639-0001



LAYOUT DIMENSIONS (after plating)  
CONNECTOR SIDE VIEW



DB05W5S300H40	UNC 4.40
DBL5W5S300H40	M3
PART NUMBER	Threaded A

European Views

www.fciconnect.com		surface ISO 1302	tolerance std ISO 406 ISO 1101	projection mm
TOLERANCES UNLESS OTHERWISE SPECIFIED		ANGULAR	LINEAR	size A3
Dr	JARRY	2003/01/10	0.X	±0.1
Eng	JARRY	2003/01/10	0.XX	±0.1
Chr	LEGARE	2003/01/10	0.XXX	±0.1
Appr	LEGARE	2003/01/10	0.XXX	±0.1
Product family			SUB	Spec ref -
SOCKET CONNECTOR 5W5 WITH POWERS CONTACTS				Rev. C
catalog no				C01-8639-1894
CUSTOMER				sheet 1 of 1

rev	ecn no	dr	date
B	-	CJA	2003/01/10
C	LS07-0302	MPE	2007/11/29
-	-	-	-
-	-	-	-
-	-	-	-
-	-	-	-

Copyright FCI

REV F - 2006-04-17