



Distributor of FCI: Excellent Integrated System Limited

Datasheet of DBV17W2S700G30LF - D-Sub Connector Receptacle, Female Sockets 17 (15 + 2 Power) Position Through Hole, Right Angle Solder

Contact us: sales@integrated-circuit.com Website: www.integrated-circuit.com

Excellent Integrated System Limited

Stocking Distributor

Click to view price, real time Inventory, Delivery & Lifecycle Information:

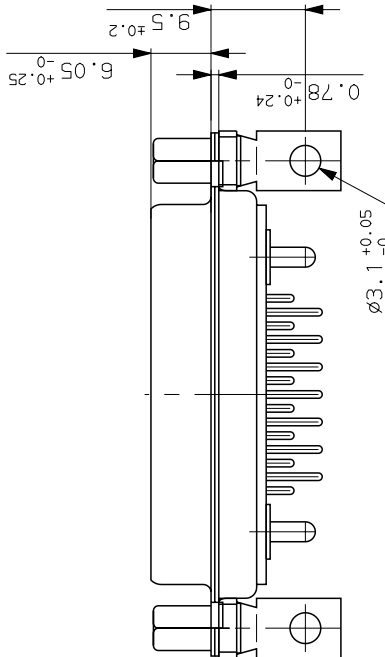
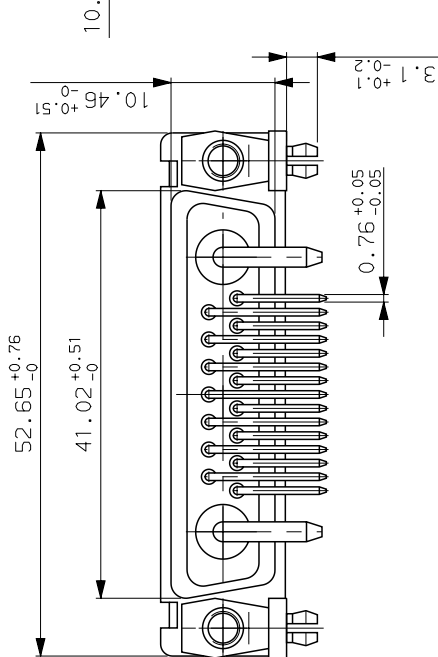
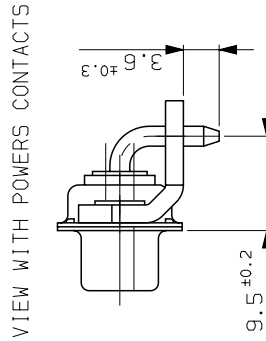
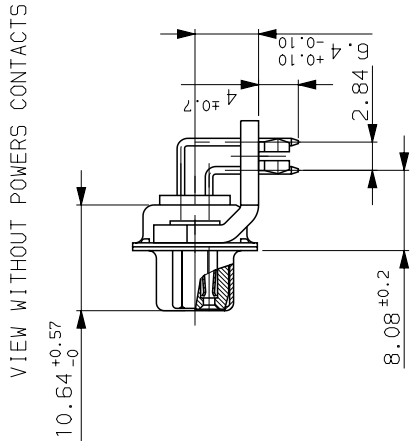
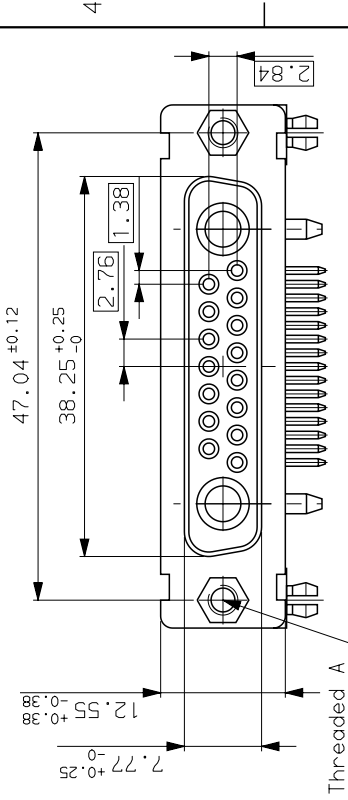
[FCI](#)

[DBV17W2S700G30LF](#)

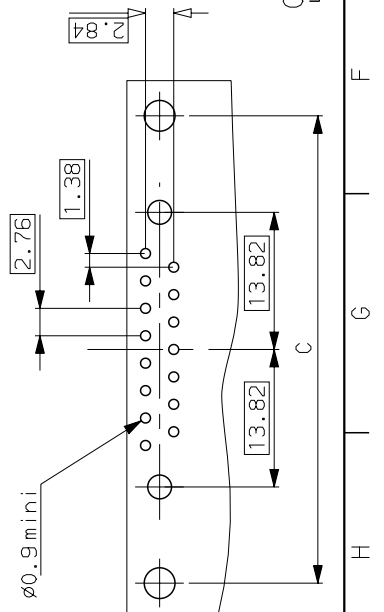
For any questions, you can email us directly:

sales@integrated-circuit.com

GENERAL CHARACTERISTICS : SEE DRAWING C01-8639-0000



LAYOUT DIMENSIONS (after plating)
CONNECTOR SIDE VIEW



DB117W2S700G30	M3
DBV17W2S700G30	UNC 4.40
PART NUMBER	Threaded A

b	01/10/03	update	---
ISS DATE	Latest modification by : DEBRAY.T	MOD N°	---
Designed by: JARRY	date:24/01/01	Type of drawing: CLIENT	
TITLE : SOCKET CONNECTOR WITH RIGHT ANGLED			SHEET 1 / 1
SCALE: 2			
	FRAMATOME CONNECTORS FRANCE Rue Louis Breguet - BP 05 72024 LE MANS Cedex Tel. (33)02.43.78.34.00	This document is the property of FRAMATOME CONNECTORS FRANCE. It must not be reproduced or communicated without permission in writing from the owners.	
FORMAT A3	DRG N° C01-8639-1840	PROJECT M94D001	

