

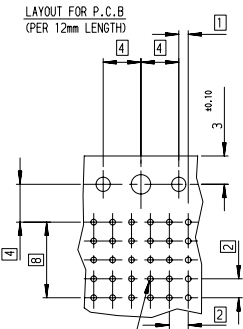
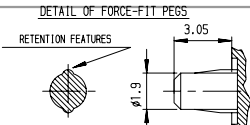
Excellent Integrated System Limited

Stocking Distributor

Click to view price, real time Inventory, Delivery & Lifecycle Information:

[FCI](#)
[HM1L53CDP000H6P](#)

For any questions, you can email us directly:
sales@integrated-circuit.com



Hole according to product spec:
GS-12-445 (for press-fit),
GS-12-446 (for STB)

TIN LEAD PART NUMBER

Part Number: HM1L53XDP000Hz

MATING LENGTH DIM-P / REPLACE "x" BY:

| | ROW-A | ROW-B | ROW-C | ROW-D | ROW-E |
|-----|-------|-------|-------|-------|-------|
| A = | 5.00 | 5.00 | 5.00 | 5.00 | 5.00 |
| L = | 5.75 | 5.75 | 5.75 | 5.75 | 5.75 |
| D = | 6.50 | 6.50 | 6.50 | 6.50 | 6.50 |
| B = | 6.50 | 5.00 | 5.00 | 5.00 | 5.00 |
| C = | 6.50 | 5.75 | 5.75 | 6.50 | 5.75 |
| M = | 7.25 | 7.25 | 7.25 | 7.25 | 7.25 |
| N = | 8.00 | 8.00 | 8.00 | 8.00 | 8.00 |

LEAD FREE PART NUMBER

Part Number: HM1L53XDP000HzLF

MATING LENGTH DIM-P / REPLACE "x" BY:

| | ROW-A | ROW-B | ROW-C | ROW-D | ROW-E |
|-----|-------|-------|-------|-------|-------|
| A = | 5.00 | 5.00 | 5.00 | 5.00 | 5.00 |
| L = | 5.75 | 5.75 | 5.75 | 5.75 | 5.75 |
| D = | 6.50 | 6.50 | 6.50 | 6.50 | 6.50 |
| B = | 6.50 | 5.00 | 5.00 | 5.00 | 5.00 |
| C = | 6.50 | 5.75 | 5.75 | 6.50 | 5.75 |
| M = | 7.25 | 7.25 | 7.25 | 7.25 | 7.25 |
| N = | 8.00 | 8.00 | 8.00 | 8.00 | 8.00 |

NOTE-2: FLAT ROCK INSERTION TOOLING, ON ALL THIS SURFACE

NOTE-3: EYE OF THE NEEDLE PRESS FIT PIN TYPE

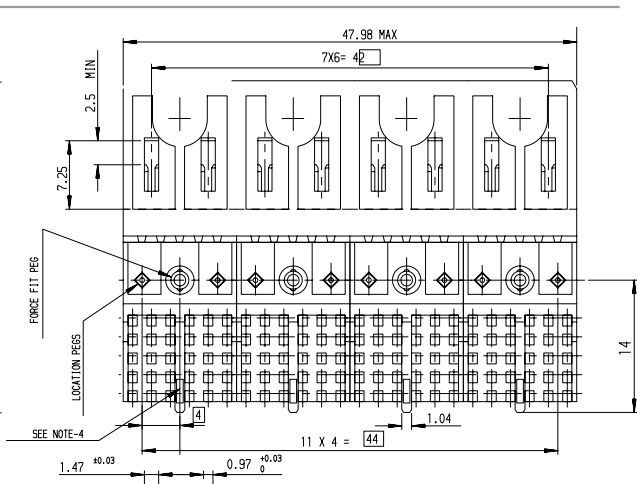
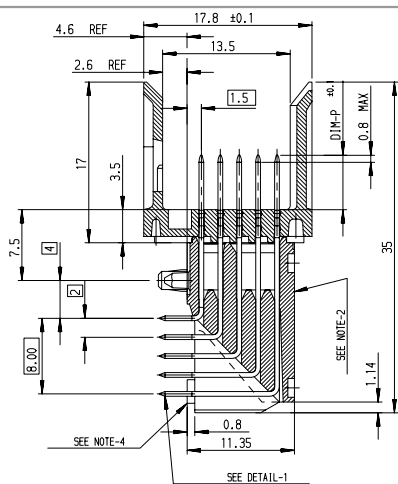
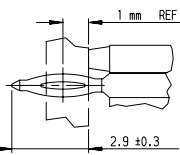
NOTE-4: REAR CENTRAL SUPPORT FOR BETTER ASSY ON PCB

NOTE-5: IF SUFFIX "P" IS ADDED IN P/N PACKAGING IS IN TRAYS

BUT CONNECTOR MARKING IS WITHOUT "P"

EXAMPLE: HM1XXXXXXXXXHP, MARKED HM1XXXXXXXXXHS

DETAIL-1: PRESS-FIT PIN



GENERAL CHARACTERISTICS AND ROHS INFORMATIONS:
SEE PRODUCT SPECIFICATION GS-12-445

| rev | ecn no | dr | date |
|-----|-----------|-----|------------|
| F | - | G01 | 2004/10/14 |
| G | LS05-004 | MLE | 2005/02/17 |
| H | LS06-0095 | LGO | 2006/07/10 |
| J | LS07-0184 | MLE | 2007/07/24 |
| - | - | - | - |
| - | - | - | - |

| | | | | |
|------------------------------|------------------------|---------------------------------------|-----------------------------------|------------------|
| www.fciconnect.com | | surface 150 1302 ✓ | tolerance std 150 406 ISO 1101 | projection mm |
| Dr CHAMPION 1997/10/28 | | TOLERANCES UNLESS OTHERWISE SPECIFIED | | size A3 |
| Eng LENOIR 1997/10/28 | Chr LEGARE 1997/10/28 | ANGULAR | LINEAR | Scale 2.5 |
| Chr LEGARE 1997/10/28 | Appr LEGARE 1997/10/28 | 0.XX ±0.1 | 0.XXX ±0.1 | ECN LS07-0184 |
| Product family METRAL | | Spec ref - | | Rev. J |
| Title METRAL RA HEADER 5 ROW | | C-8626-0237 | | sheet 1 of 1 |
| catalog no | | CUSTOMER | | |