

Excellent Integrated System Limited

Stocking Distributor

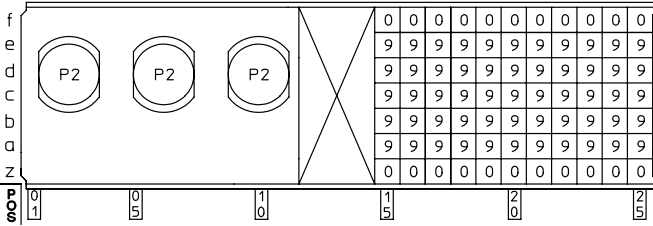
Click to view price, real time Inventory, Delivery & Lifecycle Information:

[FCI](#)
[HM2A31PG60W0GFLF](#)

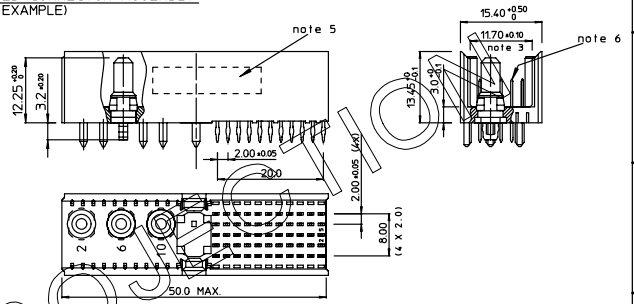
For any questions, you can email us directly:
sales@integrated-circuit.com

BS, C .202498,019	C	GEN. ST.	01	02	03	04	05	06	07	08	0D	50	60	70	80	90	REV	DATE	DESCRIPTION	BY	C'K'D'	
		INT. ST.	10	11	12	13	14	18	20	31	32	33	34	38	39	40	42	A	2005-04-20	105-0050	ALEX B	BP
																		B	2005-08-12	105-0110	ALEX B	BP
																		C	2006-08-08	106-0114	VIVEK	BP

LOADING PATTERN MATING SIDE

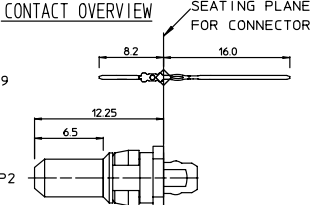


LOADED CONNECTOR ASSEMBLY (FOR EXAMPLE)

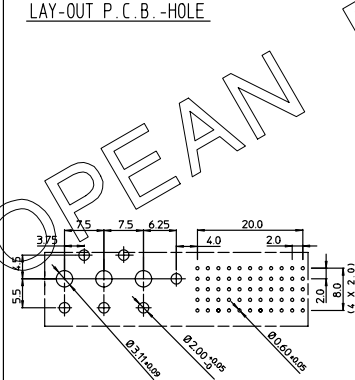


SHEET NR : 8

CONTACT OVERVIEW



LAY-OUT P.C.B.-HOLE



PLATING
POWER CONTACTS -> 1.5 µm Au over 2.0 µm Ni
LEAD FREE INDICATOR : LF-LEAD FREE (DIGIT 15 & 16)
-SIGN. CONT. -> HM2A31PG60W0-5-
PLATING CODE (DIGIT 13 AND 14) (REF DRW No BS, C .2018444.003)

NOTES

- THIS PRODUCT IS CSA APPROVED.
- THIS PRODUCT IS UL RECOGNIZED.
- MEASURED AT THE BOTTOM.
- MATERIAL CONTACT: PHOSPHORBRONZE
HOUSING: CREAM WHITE GLASFILLED POLYESTER UL-94V0
- CONNECTOR PRINTED WITH P/N AND DATE CODE.
- FOR ACTUAL CONTACT LOADINGS, SEE LOADING PATTERN MATING SIDE.
- THE PRODUCT (LF) MEETS EUROPEAN UNION DIRECTIVES AND OTHER COUNTRY REGULATIONS AS DESCRIBED IN GS-22-008
- PCB HOLE DEFINITION
- 1 FOR PTH DETAILS OF SIGNAL CONTACTS REFER BS.A .201572.001
- 2 FOR PTH DETAILS OF POWER CONTACTS

Ø drilled hole	Cu plating	SnPb/Sn plating	Ø finished hole
3.19 - 3.25	25 µm min.	5 µm min.	3.02 - 3.20

1DEC ±0.2 ZDEC ±0.1 ANGLES ±1°	APPR. DRAFT CHECKED	DATE 2005-04-20	SIGN. ALEX B	LOADING PATTERN / TYPE M / PRE-ASS. CONN.
WE RESERVE THE RIGHT TO CHANGE Ø HOLE SIZE OR RECU/REHOLE WITHOUT PREVIOUS NOTICE.	PROD. MGR. PR. ENG. MGR. PR. MGT. MGR.			CAT. No. HM2A31PG60W0----
ALL DIMENSIONS IN MM	REFERENCES			SCALE www.fciconnect.com
				BS, C .202498,019 C DRAWING No. CUSTOMER DRAWING REVISION

THIS IS OUR EXCLUSIVE PROPERTY. IT IS NOT TO BE COPIED, REPRODUCED OR DISCLOSED TO A THIRD PARTY, NOR USED FOR MANUFACTURING WITHOUT OUR WRITTEN CONSENT, AND HAS TO BE RETURNED TO US IN CASE OF NO USAGE.
DIT IS ONZE EIGENDEEL. Het is niet te kopiëren, verspreiden of openbaar te maken, noch voor fabricage te gebruiken, zonder onze schriftelijke toestemming. Dit moet u teruggeven als het u niet meer is toegestaan te gebruiken.