

## Excellent Integrated System Limited

Stocking Distributor

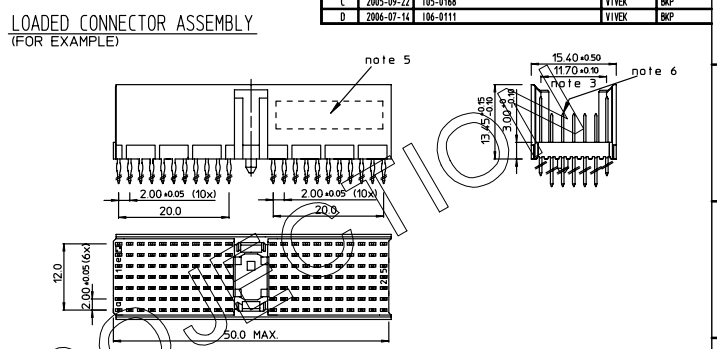
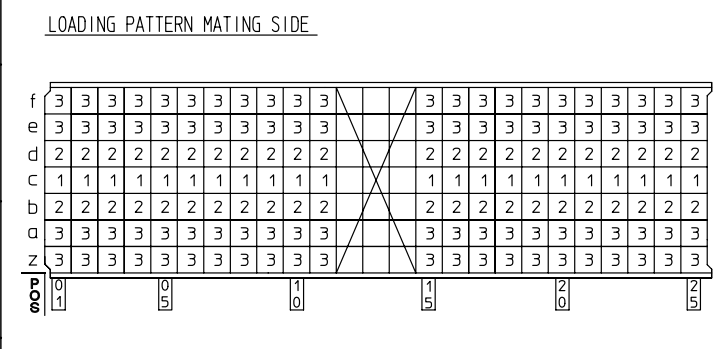
Click to view price, real time Inventory, Delivery & Lifecycle Information:

[FCI](#)  
[HM2P07PCF1M1N9](#)

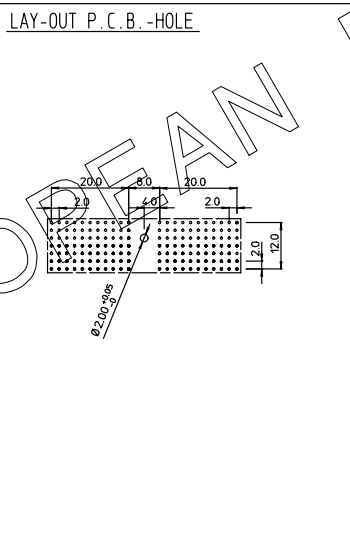
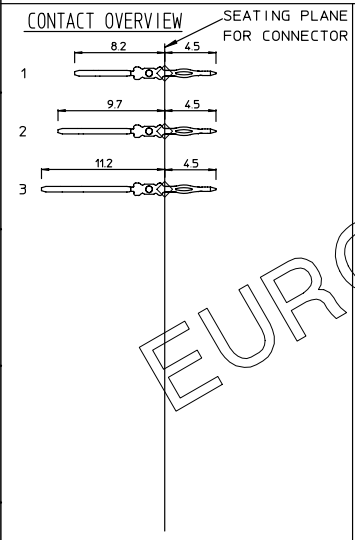
For any questions, you can email us directly:  
[sales@integrated-circuit.com](mailto:sales@integrated-circuit.com)

BS.C , 201843, 671 D

REV.	DATE	DESCRIPTION	BY	C'K'D'
A	2001-09-14	CONVERSION REVISION 02	KN	
B	2002-05-28	EC B20006	PF	
C	2005-09-22	105-0168	VIVEK	BKP
D	2006-07-14	106-0111	VIVEK	BKP



SHEET NR : 763

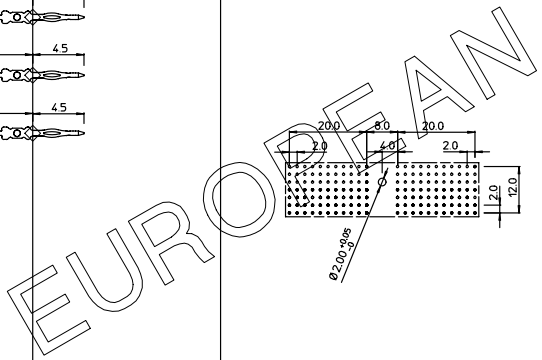


LEAD FREE INDICATOR : LF = LEAD FREE (DIGIT 15 & 16)

HM2P--P-----LF

PLATING CODE (DIGIT 13 AND 14) (REF DWG No. BS.C .201844.003)

- NOTES:**
- 1. THIS PRODUCT IS CSA APPROVED.
  - 2. THIS PRODUCT IS UL RECOGNIZED.
  - 3. MEASURED AT THE BOTTOM
  - 4. MATERIAL CONTACT: PHOSPHORBRONZE  
HOUSING: CREAM WHITE GLASSFILLED POLYESTER UL-94V0
  - 5. CONNECTOR PRINTED WITH P/N AND DATE CODE DEPENDING ON PRODUCTION LOCATION.
  - 6. FOR ACTUAL CONTACT LOADINGS, SEE LOADING PATTERN MATING SIDE.
  - 7. SHAPE OF CONNECTOR HOUSING CAN ALTER DEPENDING ON PRODUCTION LOCATION.
  - 8. THE PRODUCT (LF) MEETS EUROPEAN UNION DIRECTIVES AND OTHER COUNTRY REGULATIONS AS DESCRIBED IN GS-22-008
  - 9. FOR RECOMMENDED PTH DIMENSIONS REFER DRAWING : BS.A .201572.001



THIS IS OUR EXCLUSIVE PROPERTY. IT IS NOT TO BE COPIED, REPRINTED OR DISCLOSED TO A THIRD PARTY, NOR USED FOR MANUFACTURING WITHOUT OUR WRITTEN CONSENT, AND HAS TO BE RETURNED TO US IN CASE OF NO USAGE.

DIT IS ONZE EIGENDOM EN MAG NIEMAND, HERHAAR, OVERNAMEN AM DEREN, NOCH VOOR FABRICATIE GEBRUIKT WORDEN, ZONDER ONZE SCHRIFTELIJKE TOELATING. DIT NIET GEBRUIK IS TEGENDIENDE WERPLIET.

1DEC ±0.2 2DEC ±0.1 ANGLES ±1°	<b>APPR.</b> DRAFT CHECKED	<b>DATE</b> 1999-01-18	<b>SIGN.</b> H.Friet	<b>LOADING PATTERN OVERVIEW</b>
WE RESERVE THE RIGHT TO CHANGE DIMENSIONS OR REQUIREMENTS WITHOUT PRIOR NOTICE.	PRD. MGR PR. ENG. MGR PR. MGT. MGR			<b>CAT. No.</b> HM2P07PCF1M1-----
ALL DIMENSIONS IN MM				SCALE www.fciconnect.com
				<b>REFERENCES</b>
				BS.C , 201843, 671 D
				DRAWING No. CUSTOMER DRAWING REVISION