

Excellent Integrated System Limited

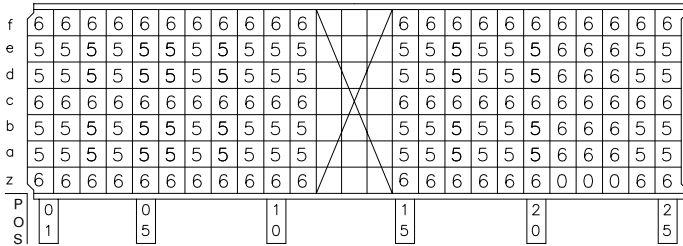
Stocking Distributor

Click to view price, real time Inventory, Delivery & Lifecycle Information:

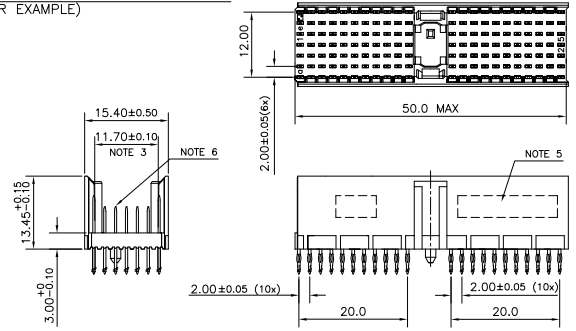
[FCI](#)
[HM2P07PDW2C5N9](#)

For any questions, you can email us directly:
sales@integrated-circuit.com

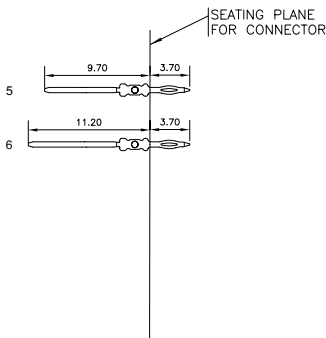
LOADING PATTERN MATING SIDE



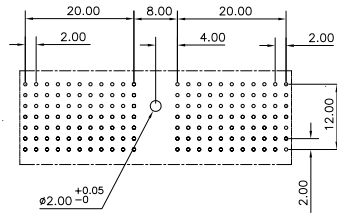
LOADED CONNECTOR ASSEMBLY
(FOR EXAMPLE)



CONTACT OVERVIEW



LAY-OUT P.C.B.-HOLE



HM2P07PDW2C5 **LF**
LEAD FREE INDICATOR : LF = LEAD FREE (DIGIT 15 & 16)

PLATING CODE (DIGIT 13 AND 14)
(REF DRW NO. BS, C , 201844 , 003)

NOTES

- 1. THIS PRODUCT IS CSA APPROVED.
 - 2. THIS PRODUCT IS UL RECOGNIZED.
 - 3. MEASURED AT THE BOTTOM.
 - 4. MATERIAL CONTACT: PHOSPHORBRONZE
HOUSING: CREAM WHITE GLASS FILLED POLYESTER UL-94V0
 - 5. CONNECTOR PRINTED WITH P/N AND DATE CODE.
 - 6. FOR ACTUAL CONTACT LOADINGS, SEE LOADING PATTERN MATING SIDE.
 - 7. SHAPE OF CONNECTOR HOUSING CAN ALTER DEPENDING ON PRODUCTION LOCATION
 - 8. THE PRODUCT (LF) MEETS EUROPEAN UNION DIRECTIVES AND OTHER COUNTRY REGULATIONS AS DESCRIBED IN GS-22-008
 - 9. FOR RECOMMENDED PTH DIMENSIONS REFER DRAWING : BS, A , 201572 , 001
- CATALOG NO: HM2P07PDW2C5 ---

mat'l. code	SEE NOTE 4	surface	tolerance	projection	product family
ltr	ecp no	dr	date		MILLIPACS
A	103-0037	MKV	30/07/2003	ISO 1302	title MPACS 5+2R STR HDR PF CONN TYPE A
B	105-0182	MNI	03/10/2005	ISO 406 ISO 1101 tolerances unless otherwise specified	
C	106-0077	MNI	22/06/2006	angles linear 0°±1" 0±0.2 00±0.1 000±0.00X	
		dr	MNI K VANDANIATH	30/07/2003	scale -
		enr	BIJU K PAUL	30/07/2003	FCI dwg no sheet 1 of 1 size BS, C , 203028, 061 A3
		chr	BIJU K PAUL	22/06/2006	
		appd	BIJU K PAUL	22/06/2006	
sheet index	revision sheet	C	1		type Product Customer Drawing