

Excellent Integrated System Limited

Stocking Distributor

Click to view price, real time Inventory, Delivery & Lifecycle Information:

[FCI](#)
[HM2P08PKN2T1GF](#)

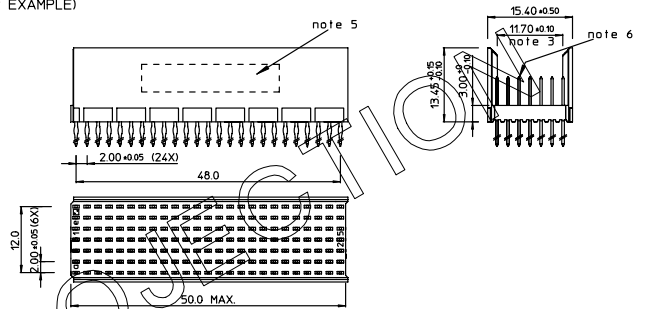
For any questions, you can email us directly:
sales@integrated-circuit.com

BS,C ,202788,090	D	GEN ST	01	02	03	04	05	06	07	08	0D	50	60	70	80	90	REV	DATE	DESCRIPTION	BY	C 'K' D'	
		INT. ST.	10	11	12	13	14	18	20	31	32	33	34	38	39	40	42	A	2001-09-14	CONVERSION REVISION 01	KN	
																		B	2007-05-28	EC 820086	MF	
																		C	2005-11-14	105-0231	ALEX B	BKP
																		D	2006-08-09	106-0145	VIVEX	BKP

LOADING PATTERN MATING SIDE

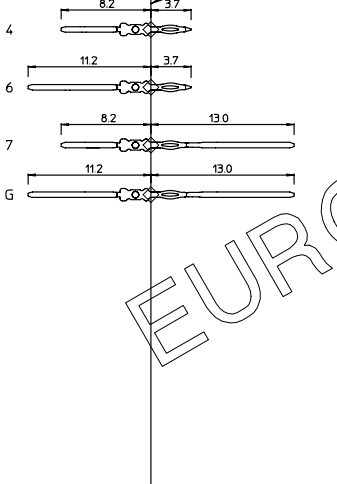
f	6	6	6	6	6	6	6	6	6	6	6	6	6	6	6	6	6	6	6	6	6
e	7	7	7	7	7	7	7	7	7	G	G	4	4	4	4	4	4	4	4	4	4
d	7	7	7	7	7	7	7	7	7	G	G	4	4	4	4	4	4	4	4	4	4
c	7	7	7	7	7	7	7	7	7	7	7	4	4	4	4	4	4	4	4	4	4
b	7	7	7	7	7	7	7	7	7	7	7	4	4	4	4	4	4	4	4	4	4
a	7	7	7	7	7	G	7	G	7	7	7	4	4	4	4	4	4	4	4	4	4
Z	6	6	6	6	6	6	6	6	6	6	6	6	6	6	6	6	6	6	6	6	6
0	1																				
5																					
1																					
5																					
1																					
5																					
2																					
0																					
5																					

LOADED CONNECTOR ASSEMBLY
(FOR EXAMPLE)

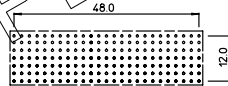


CONTACT OVERVIEW

SEATING PLANE FOR CONNECTOR



LAY-OUT P. C. B. -HOLE



LEAD FREE INDICATOR : LF = LEAD FREE (DIGIT 15 & 16)

HM2P08PKN2T1

PLATING CODE (DIGIT 13 AND 14)
(REF DWG No. BS.A ,201844,003)

NOTES:

1. THIS PRODUCT IS CSA APPROVED.
2. THIS PRODUCT IS UL RECOGNIZED.
3. MEASURED AT THE BOTTOM.
4. MATERIAL CONTACT: PHOSPHORBRONZE
HOUSING: CREAM WHITE GLASSFILLED POLYESTER UL-94V0
5. CONNECTOR PRINTED WITH P/N AND DATE CODE.
6. FOR ACTUAL CONTACT LOADINGS, SEE LOADING PATTERN MATING SIDE.
7. SHAPE OF CONNECTOR HOUSING CAN ALTER DEPENDING ON PRODUCTION LOCATION.
8. THE PRODUCT (LF) MEETS EUROPEAN UNION DIRECTIVES AND OTHER COUNTRY REGULATIONS AS DESCRIBED IN GS-22-008
9. FOR RECOMMENDED PTH DIMENSIONS REFER DRAWING : BS.A ,201572,001

THIS IS OUR EXCLUSIVE PROPERTY. IT IS NOT TO BE COPIED, REPRINTED OR DISCLOSED TO A THIRD PARTY. FOR USE FOR MANUFACTURING WITHOUT OUR WRITTEN CONSENT. AND HAS TO BE RETURNED TO US IN CASE OF NO USAGE

DIT IS ONZE EIGENDOM EN MAG NIET NAEMAKT, HERDRUKT, OVERGEDRUKT AN DEREN, NOCH VOOR FABRIKATIE GEBRUIKT WORDEN, ZONDER ONZE SCHRIFTELIJKE TOELATING. BIJ HET GEBRUIK IS TERUGSENDEN VERPLICHT.

1DEC ±0,2 2DEC ±0,1 ANGLES ±1°	APPR. DRAFT CHECKED	DATE 2001-03-12	SIGN. M.Fre!	MPACS 5+2R STR HDR SG PF CONN TYPE B	CAT. No. HM2P08PKN2T1----	SCALE
WE RESERVE THE RIGHT TO CHANGE DIMENSIONS OR REQUIREMENTS WITHOUT PRIOR NOTICE.	PROD. MGR. PR. ENG. MGR. PR. MGT. MGR.			FCI www.fciconnect.com	www.fciconnect.com	SCALE
ALL DIMENSIONS IN MM	REFERENCES					
				DRAWING No.	CUSTOMER DRAWING	REVISION