

## Excellent Integrated System Limited

Stocking Distributor

Click to view price, real time Inventory, Delivery & Lifecycle Information:

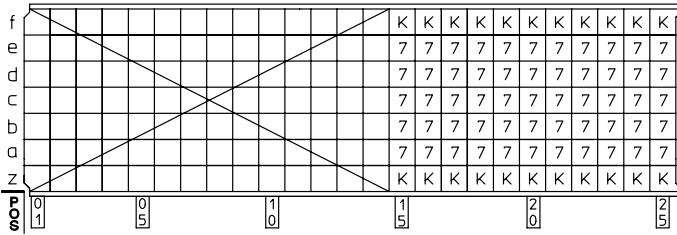
[FCI](#)  
[HM2P11PK5114GF](#)

For any questions, you can email us directly:

[sales@integrated-circuit.com](mailto:sales@integrated-circuit.com)

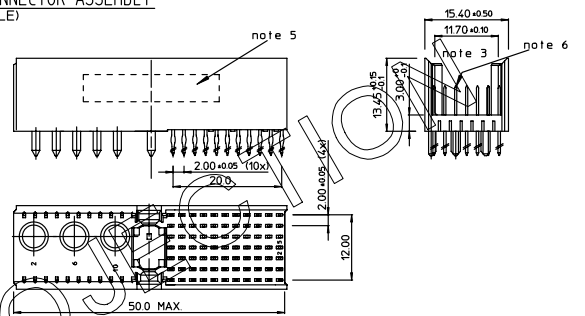
BS, C ,201843,874	D	GEN. ST.	01	02	03	04	05	06	07	08	0D	50	60	70	80	90	REV.	DATE	DESCRIPTION	BY	C'K'D'
		INT. ST.	10	11	12	13	14	18	20	31	32	33	34	38	39	40	A	2001-09-14	CONVERSION REVISION 01	KN	
																	B	2002-04-03	EC 020006	BYE	
																	C	2005-11-25	105-0221	ALEX.B	BNP
																	D	2006-08-01	106-0118	VIVEK	BNP

**LOADING PATTERN MATING SIDE**

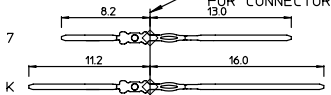


SHEET NR. : 954

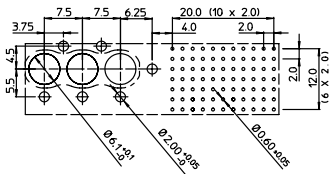
**LOADED CONNECTOR ASSEMBLY (FOR EXAMPLE)**



**CONTACT OVERVIEW**



**LAY-OUT P.C.B. -HOLE**



THIS IS OUR EXCLUSIVE PROPERTY. IT IS NOT TO BE COPIED, REPRODUCED OR DISCLOSED TO A THIRD PARTY, NOR USED FOR MANUFACTURING WITHOUT OUR WRITTEN CONSENT. AND HAS TO BE RETURNED TO US IN CASE OF NO USAGE

DIT IS ONZE EIGENDOM EN MAG NIET WERD OVERDRAAGD, OVERDRAAGD EN OPENBAAR. NIET VOOR FABRICATIE GEBRUIKT WORDEN, ZONDER ONZE SCHRIFTELIJKE TOELATING. NIET GEBRUIK IS TOEGEDENIGD VOORLOFT.

HM2P11PK5114 LEAD FREE INDICATOR : LF = LEAD FREE (DIGIT 15 & 16)

PLATING CODE (DIGIT 13 AND 14)  
(REF DWG No. BS, C ,201844,003)

**NOTES:**

1. THIS PRODUCT IS CSA APPROVED.
2. THIS PRODUCT IS UL RECOGNIZED.
3. MEASURED AT THE BOTTOM.
4. MATERIAL CONTACT: PHOSPHORBRONZE  
HOUSING: CREAM WHITE GLASSFILLED POLYESTER UL-94V0
5. CONNECTOR PRINTED WITH P/N AND DATE CODE.
6. FOR ACTUAL CONTACT LOADINGS, SEE LOADING PATTERN MATING SIDE.
7. SHAPE OF CONNECTOR HOUSING CAN ALTER DEPENDING ON PRODUCTION LOCATION.
8. THE PRODUCT (LF) MEETS EUROPEAN UNION DIRECTIVES AND OTHER COUNTRY REGULATIONS AS DESCRIBED IN GS-22-008
9. FOR RECOMMENDED PTH DIMENSIONS REFER DRAWING : BS, A ,201572,001

1DEC ±0.2 Z0EC ±0.1 ANGLES ±1°	<b>APPR.</b> DRAFT CHECKED	<b>DATE</b> 1999-12-03	<b>SIGN.</b> M Fre	<b>LOADING PATTERN OVERVIEW</b>	SCALE
WE RESERVE THE RIGHT TO CHANGE DIMENSIONS OR REVISIONS WITHOUT PRIOR NOTICE.	PROD. MGR PR. ENG. MGR PR. MGT. MGR			<b>FCI</b> www.fciconnect.com	
ALL DIMENSIONS IN MM	<b>REFERENCES</b>			BS, C ,201843,874	D
				DRAWING No.	CUSTOMER DRAWING
					REVISION