

Excellent Integrated System Limited

Stocking Distributor

Click to view price, real time Inventory, Delivery & Lifecycle Information:

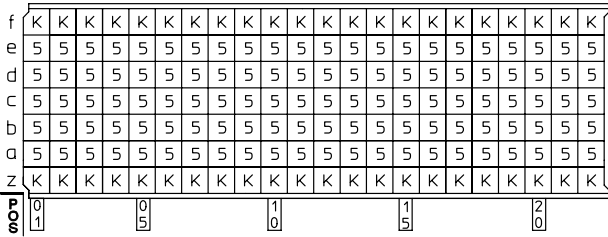
[FCI](#)
[HM2P70PDE124N9](#)

For any questions, you can email us directly:

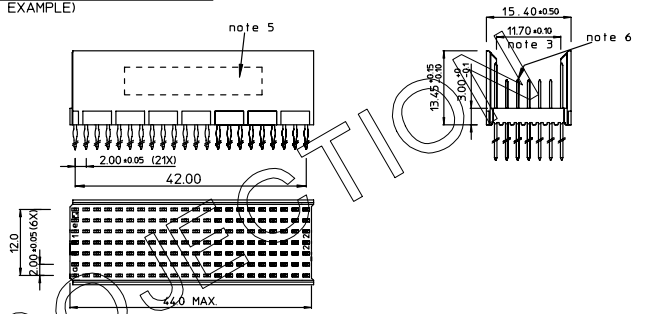
sales@integrated-circuit.com

| | | | | | | | | | | | | | | | | | | | | | | | | | | | | | | | | | | | | |
|------------------|---|----------|----|----|----|----|----|----|----|----|----|----|----|----|----|----|------|------|-------------|------------|-----------|-------|-----|----|----|----|----|----|----|----|----|----|----|---|------------|------------------------|
| BS,C .201843.704 | D | GEN. ST. | 01 | 02 | 03 | 04 | 05 | 06 | 07 | 08 | 0D | 50 | 60 | 70 | 80 | 90 | REV. | DATE | DESCRIPTION | BY | C'K'D' | | | | | | | | | | | | | | | |
| | | INT. ST. | 10 | 11 | 12 | 13 | 14 | 18 | 20 | 31 | 32 | 33 | 34 | 38 | 39 | 40 | 42 | 43 | 44 | 45 | 46 | 48 | 56 | 70 | 72 | 73 | 75 | 76 | 81 | 82 | 83 | 84 | 88 | A | 2001-09-14 | CONVERSION REVISION 02 |
| | | | | | | | | | | | | | | | | | | | B | 2002-05-28 | EC 820086 | MF | | | | | | | | | | | | | | |
| | | | | | | | | | | | | | | | | | | | C | 2005-11-04 | 105-0216 | VIVEK | BKP | | | | | | | | | | | | | |
| | | | | | | | | | | | | | | | | | | | D | 2006-07-15 | 106-0111 | VIVEK | BKP | | | | | | | | | | | | | |

LOADING PATTERN MATING SIDE



LOADED CONNECTOR ASSEMBLY
(FOR EXAMPLE)

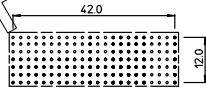
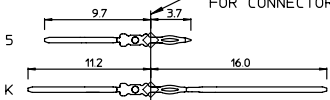


SHEET NR. : 795

CONTACT OVERVIEW

SEATING PLANE FOR CONNECTOR

LAY-OUT P.C.B.-HOLE



LEAD FREE INDICATOR : LF = LEAD FREE
(DIGIT 15 & 16)

HM2P70PDE124

PLATING CODE (DIGIT 13 AND 14)
(REF DWG No. BS,C .201844.003)

NOTES:

- THIS PRODUCT IS CSA APPROVED.
- THIS PRODUCT IS UL RECOGNIZED.
- MEASURED AT THE BOTTOM.
- MATERIAL CONTACT: PHOSPHORBRONZE
HOUSING: CREAM WHITE GLASSFILLED POLYESTER UL-94V0
- CONNECTOR PRINTED WITH P/N AND DATE CODE.
- FOR ACTUAL CONTACT LOADINGS, SEE LOADING PATTERN MATING SIDE.
- SHAPE OF CONNECTOR HOUSING CAN ALTER DEPENDING ON PRODUCTION LOCATION.
- THE PRODUCT (LF) MEETS EUROPEAN UNION DIRECTIVES AND OTHER COUNTRY REGULATIONS AS DESCRIBED IN GS-22-008.
- FOR RECOMMENDED PTH DIMENSIONS REFER DRAWING : BS.A .201572.001

| | | | | | | |
|---|--|--------------------|-----------------|-------------------------------|---------------------------|----------|
| 1DEC ±0.2 2DEC ±0.1 ANGLES ±1° | APPR. DRAFT CHECKED | DATE 1999-03-11 | SIGN. M.Frel | LOADING PATTERN OVERVIEW | CAT. No. HM2P70PDE124---- | SCALE |
| WE RESERVE THE RIGHT TO CHANGE DIMENSIONS OR REQUIREMENTS WITHOUT PRIOR NOTICE. | PROD. MGR. PR. ENG. MGR. PR. MGT. MGR. | | | FCI www.fciconnect.com | | |
| ALL DIMENSIONS IN MM | REFERENCES | | | BS,C .201843.704 | D | REVISION |
| | | | | DRAWING No. CUSTOMER DRAWING | | |

THIS IS OUR EXCLUSIVE PROPERTY. IT IS NOT TO BE COPIED, REPRINTED OR DISCLOSED TO A THIRD PARTY, NOR USED FOR MANUFACTURING WITHOUT OUR WRITTEN CONSENT, AND HAS TO BE RETURNED TO US IN CASE OF NO USAGE.
DIT IS ONZE EIGENOM EN NIJN RECHT. NIET OVERDRAAGEN, NIET REPRODUCEREN, NIET VERBODEN EN NIET TOEGELIJDEN. DIT IS NIET GEMAKKELIJK TOEGELIJDEN. NIJN NIET GEMAKKELIJK IS TERUGZENDING VERPLICHT.