

Excellent Integrated System Limited

Stocking Distributor

Click to view price, real time Inventory, Delivery & Lifecycle Information:

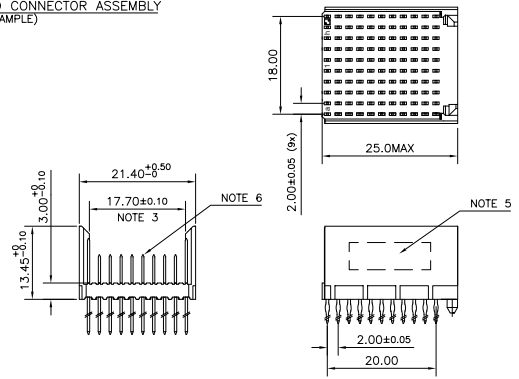
[FCI](#)
[HM2P89PDH1N1N9](#)

For any questions, you can email us directly:
sales@integrated-circuit.com

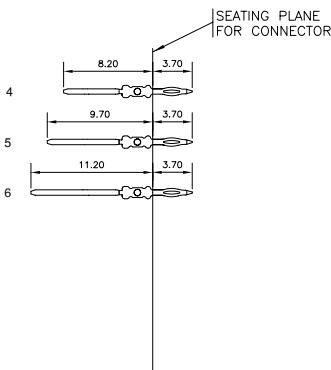
LOADING PATTERN MATING SIDE

y	6	6	6	6	6	6	6	6	6	6	6	6
h	4	4	5	5	5	5	5	5	5	5	5	5
g	5	5	5	5	5	5	5	5	5	5	5	5
f	5	5	5	5	5	5	5	5	5	5	5	5
e	5	5	5	5	5	5	5	5	5	5	5	5
d	5	5	5	5	5	5	5	5	5	5	5	5
c	5	5	5	5	5	5	5	5	5	5	5	5
b	5	5	5	5	5	5	5	5	5	5	5	5
a	5	5	5	5	5	5	5	5	5	5	5	5
z	6	6	6	6	6	6	6	6	6	6	6	6
pos	0	1	0	1	0	1	0	1	0	1	0	1

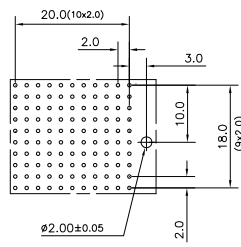
LOADED CONNECTOR ASSEMBLY (FOR EXAMPLE)



CONTACT OVERVIEW



LAY-OUT P.C.B.-HOLE



HM2P89PDH1N1N9
 LEAD FREE INDICATOR : LF = LEAD FREE (DIGIT 15 & 16)
 PLATING CODE (DIGIT 13 AND 14) (REF DRW NO. BS.C , 201844 , 003)

NOTES

1. THIS PRODUCT IS CSA APPROVED.
 2. THIS PRODUCT IS UL RECOGNIZED.
 3. MEASURED AT THE BOTTOM.
 4. MATERIAL CONTACT: PHOSPHORBRONZE
HOUSING: CREAM WHITE GLASS FILLED POLYESTER UL-94V0
 5. CONNECTOR PRINTED WITH P/N AND DATE CODE.
 6. FOR ACTUAL CONTACT LOADINGS, SEE LOADING PATTERN MATING SIDE.
 7. SHAPE OF CONNECTOR HOUSING CAN ALTER DEPENDING ON PRODUCTION LOCATION
 8. THE PRODUCT (LF) MEETS EUROPEAN UNION DIRECTIVES AND OTHER COUNTRY REGULATIONS AS DESCRIBED IN GS-22-008
 9. FOR RECOMMENDED PTH DIMENSIONS REFER DRAWING : BS, A , 201572 , 001
- CATALOG NO: HM2P89PDH1N1----

mat'l. code	SEE NOTE 4		surface	tolerance	projection	product family
ISO 1302	ISO 406	ISO 1101	tolerances unless otherwise specified	MM	MILLIPACS	
ltr	ecn no	dr	date	angles	linear	title
A	104-0120	MNI	2004/12/11	0±0.2		MPACS 8+2R STR HDR PF CONN TYPE F
B	105-0195	MNI	2005/10/18	00±0.1		
C	106-0090	MNI	2006/06/30	0°±1"		
		dr	MNI K VANDANATH	2004/12/11		dwg no
		enrg	BIJU K PAUL	2004/12/11		sheet 1 of 1
		chr	BIJU K PAUL	2006/06/30		size
		appd	BIJU K PAUL	2006/06/30		A3
sheet	revision	c				type
index	sheet	1				Product Customer Drawing