

Excellent Integrated System Limited

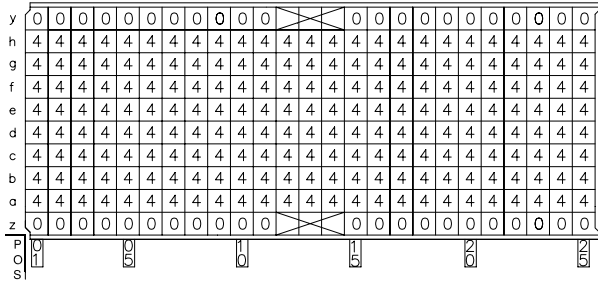
Stocking Distributor

Click to view price, real time Inventory, Delivery & Lifecycle Information:

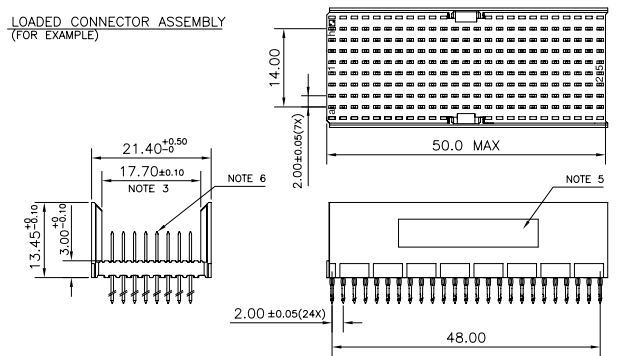
[FCI](#)
[HM2P95PA8110AALF](#)

For any questions, you can email us directly:
sales@integrated-circuit.com

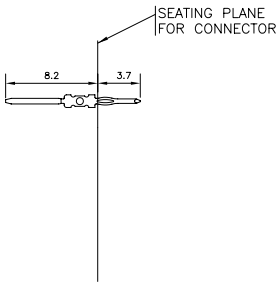
LOADING PATTERN MATING SIDE



LOADED CONNECTOR ASSEMBLY
(FOR EXAMPLE)



CONTACT OVERVIEW

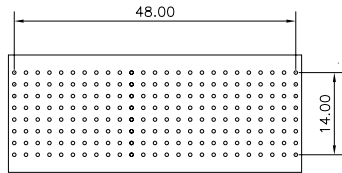


HM2P95PA8110
 LEAD FREE INDICATOR : LF = LEAD FREE (DIGIT 15 & 16)
 PLATING CODE (DIGIT 13 AND 14)

PLATING TABLE

CODE	PLATING	CONTACT AREA	TYPE OF TERMINAL	PERFORMANCE LEVEL
AA	0.75µ Au	GOLD OVER NICKEL PLATING.	SHORT TERMINAL EON PRESSFIT CONTACTS	IEC PERFORMANCE LEVEL 2 (250 mating cycles) or TELCORDIA CO
AB	1.25µ Au	GOLD OVER NICKEL PLATING.	SHORT TERMINAL EON PRESSFIT CONTACTS	TELCORDIA UE

LAY-OUT P.C.B.-HOLE



NOTES

- THIS PRODUCT IS CSA APPROVED.
 - THIS PRODUCT IS UL RECOGNIZED.
 - MEASURED AT THE BOTTOM.
 - MATERIAL CONTACT: PHOSPHOR BRONZE
HOUSING : CREAM WHITE GLASS FILLED POLYESTER UL-94V0
 - CONNECTOR PRINTED WITH P/N AND DATE CODE.
 - FOR ACTUAL CONTACT LOADINGS, SEE LOADING PATTERN MATING SIDE.
 - SHAPE OF CONNECTOR HOUSING CAN ALTER DEPENDING ON PRODUCTION LOCATION
 - THE PRODUCT (LF) MEETS EUROPEAN UNION DIRECTIVES AND OTHER COUNTRY REGULATIONS AS DESCRIBED IN GS-22-008
 - FOR RECOMMENDED PTH DIMENSIONS REFER DRAWING : BS, A, 201572, 001
- CATALOG NO. HM2P95PA8110----

mat'l. code	SEE NOTE 4	surface ISO 1302	tolerance ISO 406 ISO 1101	projection	product family MILLIPACS
tr	ecn no	dr	date	tolerances unless otherwise specified	title
A	109-0210	MINI	2009-10-06	0±0.2	MPACS 8+2R STR HDR PF CONN TYPE DE
B	109-0290	AB	2009-12-29	0.0±0.1	MM
C	110-0018	MINI	2010-01-13	0°±1°	scale -
		dr	MINI K VANDANATH	2009-10-06	
		enrg	ALEX BABU	2009-10-06	
		chr	ALEX BABU	2009-10-06	
		appd	ALEX BABU	2009-10-06	
sheet index	revision sheet	C	1		dwg no sheet 1 of 1 size BS, C, 203032, 019 A3 type Product Customer Drawing