

## Excellent Integrated System Limited

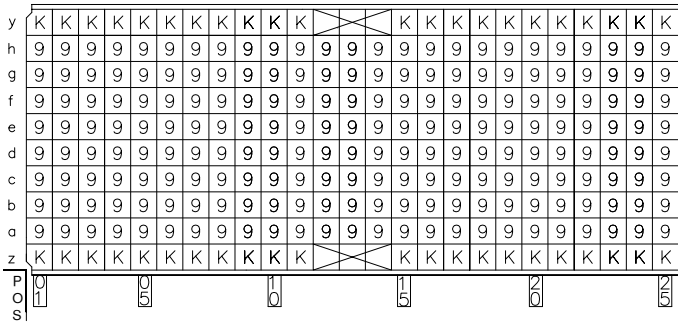
Stocking Distributor

Click to view price, real time Inventory, Delivery & Lifecycle Information:

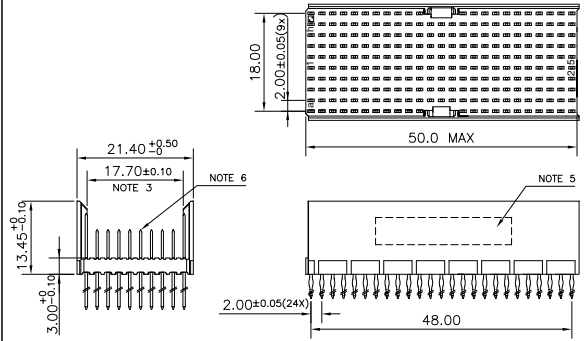
[FCI](#)  
[HM2P95PN8114GF](#)

For any questions, you can email us directly:  
[sales@integrated-circuit.com](mailto:sales@integrated-circuit.com)

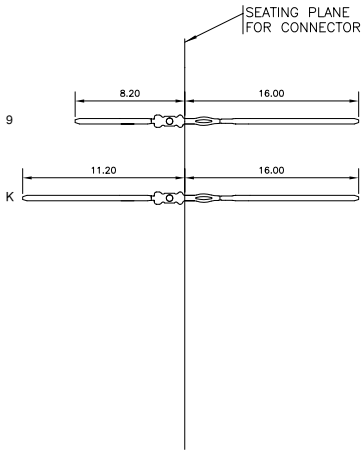
**LOADING PATTERN MATING SIDE**



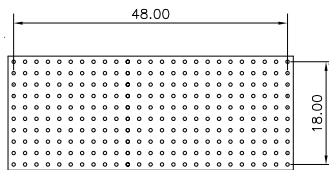
**LOADED CONNECTOR ASSEMBLY (FOR EXAMPLE)**



**CONTACT OVERVIEW**



**LAY-OUT P.C.B.-HOLE**



HM2P95PN8114 ---  
LEAD FREE INDICATOR : LF = LEAD FREE (DIGIT 15 & 16)  
PLATING CODE (DIGIT 13 AND 14) (REF DRW NO. BS.C , 201844 , 003)

**NOTES**

- THIS PRODUCT IS CSA APPROVED.
  - THIS PRODUCT IS UL RECOGNIZED.
  - MEASURED AT THE BOTTOM.
  - MATERIAL CONTACT: PHOSPHORBRONZE  
HOUSING: CREAM WHITE GLASS FILLED POLYESTER UL-94V0
  - CONNECTOR PRINTED WITH P/N AND DATE CODE.
  - FOR ACTUAL CONTACT LOADINGS, SEE LOADING PATTERN MATING SIDE.
  - SHAPE OF CONNECTOR HOUSING CAN ALTER DEPENDING ON PRODUCTION LOCATION
  - THE PRODUCT (LF) MEETS EUROPEAN UNION DIRECTIVES AND OTHER COUNTRY REGULATIONS AS DESCRIBED IN GS-22-008
  - FOR RECOMMENDED PTH DIMENSIONS REFER DRAWING : BS, A , 201572 , 001
- CATALOG NO: HM2P95PN8114 ---

mat'l. code	SEE NOTE 4	surface	tolerance	projection	product family
ISO 1302	ISO 406 ISO 1101	MM	MILLIPACS		
tr	ecn no	dr	date	angles	linear
A	103-0022	JAY	06/06/2003	0±0.2	
B	105-0171	MIN	28/09/2005	00±0.1	
C	106-0077	MIN	21/06/2006	0°±1"	
dr	JAYADEEP P	06/06/2003			
enr	BIJU K PAUL	06/06/2003			
chr	BIJU K PAUL	21/06/2006			
appd	BIJU K PAUL	21/06/2006			
sheet index	revision sheet	C	1		

title  
**MPACS 8+2R STR HDR PF CONN TYPE DE**

dwg no  
**BS, C ,203028, 037**

sheet 1 of 1 size A3

type Product Customer Drawing