

## Excellent Integrated System Limited

Stocking Distributor

Click to view price, real time Inventory, Delivery & Lifecycle Information:

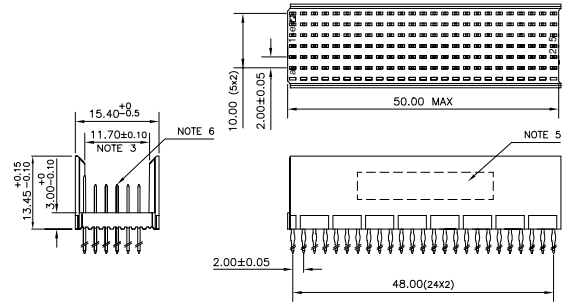
[FCI](#)  
[HM2PN2PDP2K5N9](#)

For any questions, you can email us directly:  
[sales@integrated-circuit.com](mailto:sales@integrated-circuit.com)

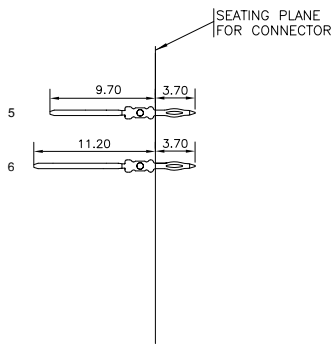
LOADING PATTERN MATING SIDE

|   |   |   |   |   |   |   |   |   |   |   |   |   |   |   |   |   |   |   |   |   |   |
|---|---|---|---|---|---|---|---|---|---|---|---|---|---|---|---|---|---|---|---|---|---|
| f | 6 | 6 | 6 | 6 | 6 | 6 | 6 | 6 | 6 | 6 | 6 | 6 | 6 | 6 | 6 | 6 | 6 | 6 | 6 | 6 |   |
| e | 6 | 5 | 5 | 5 | 5 | 5 | 6 | 5 | 5 | 5 | 5 | 6 | 5 | 5 | 5 | 5 | 6 | 5 | 5 | 5 | 6 |
| d | 6 | 5 | 5 | 5 | 5 | 5 | 6 | 5 | 5 | 5 | 5 | 6 | 5 | 5 | 5 | 5 | 6 | 5 | 5 | 5 | 6 |
| c | 6 | 5 | 5 | 5 | 5 | 5 | 6 | 5 | 5 | 5 | 5 | 6 | 5 | 5 | 5 | 5 | 6 | 5 | 5 | 5 | 6 |
| b | 6 | 5 | 5 | 5 | 5 | 5 | 6 | 5 | 5 | 5 | 5 | 6 | 5 | 5 | 5 | 5 | 6 | 5 | 5 | 5 | 6 |
| a | 6 | 5 | 5 | 5 | 5 | 5 | 6 | 5 | 5 | 5 | 5 | 6 | 5 | 5 | 5 | 5 | 6 | 5 | 5 | 5 | 6 |
| z | 0 | 0 | 0 | 0 | 0 | 0 | 0 | 0 | 0 | 0 | 0 | 0 | 0 | 0 | 0 | 0 | 0 | 0 | 0 | 0 | 0 |
| P | 0 |   |   |   |   |   | 1 |   |   |   |   | 1 |   |   |   | 2 |   |   |   |   | 2 |
| O | 1 |   |   |   |   |   | 5 |   |   |   |   | 5 |   |   |   | 0 |   |   |   |   | 5 |
| S |   |   |   |   |   |   |   |   |   |   |   |   |   |   |   |   |   |   |   |   |   |

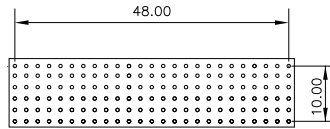
LOADED CONNECTOR ASSEMBLY (FOR EXAMPLE)



CONTACT OVERVIEW



LAY-OUT P.C.B.-HOLE



**LEAD FREE INDICATOR : LF = LEAD FREE (DIGIT 15 & 16)**

HM2PN2PDP2K5---

**PLATING CODE (DIGIT 13 AND 14) (REF DRW NO. BS,C , 201844 , 003)**

**NOTES**

- THIS PRODUCT IS CSA APPROVED.
  - THIS PRODUCT IS UL RECOGNIZED.
  - MEASURED AT THE BOTTOM.
  - MATERIAL CONTACT: PHOSPHORBRONZE  
HOUSING: CREAM WHITE GLASS FILLED POLYESTER UL-94V0
  - CONNECTOR PRINTED WITH P/N AND DATE CODE.
  - FOR ACTUAL CONTACT LOADINGS, SEE LOADING PATTERN MATING SIDE.
  - SHAPE OF CONNECTOR HOUSING CAN ALTER DEPENDING ON PRODUCTION LOCATION
  - THIS PRODUCT (LF) MEETS EUROPEAN UNION DIRECTIVES AND OTHER COUNTRY REGULATIONS AS DESCRIBED IN GS-22-008
  - FOR RECOMMENDED PTH DIMENSIONS REFER DRAWING : BS, A , 201572 , 001
- PART NO: HM2PN2PDP2K5----

|             |                |     |            |                                       |                  |            |          |            |                                   |                          |
|-------------|----------------|-----|------------|---------------------------------------|------------------|------------|----------|------------|-----------------------------------|--------------------------|
| mat'l. code | SEE NOTE 4     |     | surface    | ISO 1302                              | tolerance        | ISO 406    | ISO 1101 | projection | product family                    | MILLIPACS                |
| ltr         | ecn no         | dr  | date       | tolerances unless otherwise specified |                  | angles     | linear   | MM         | title                             |                          |
| A           | 05-0139        | MNI | 2005/08/10 |                                       |                  | 0°±0.2     |          |            | MPACS 5+2R STR HDR PF CONN TYPE B |                          |
| B           | 06-0099        | MNI | 2006/07/08 |                                       |                  | 00±0.1     |          |            | (WIDTH = 15.4 MAX)                |                          |
|             |                |     |            | dr                                    | MNI K. VANDANATH | 2005/06/14 |          | scale      | dwg no                            | sheet 1 of 1             |
|             |                |     |            | enr                                   | BUJU K. PAUL     | 2005/06/14 |          |            | BS, C                             | 203028,261               |
|             |                |     |            | chr                                   | BUJU K. PAUL     | 2006/07/08 |          |            | type                              | Product Customer Drawing |
|             |                |     |            | appd                                  | BUJU K. PAUL     | 2006/07/08 |          |            |                                   |                          |
| sheet index | revision sheet | B   | 1          |                                       |                  |            |          |            |                                   |                          |