

Excellent Integrated System Limited

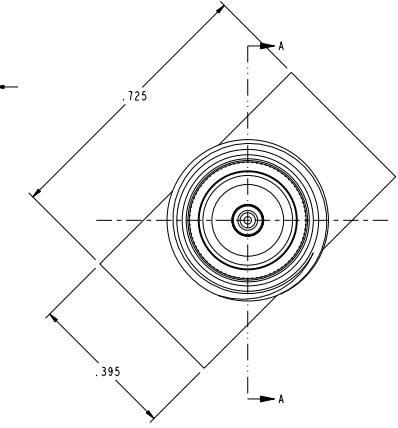
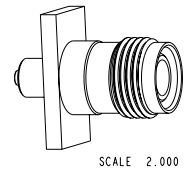
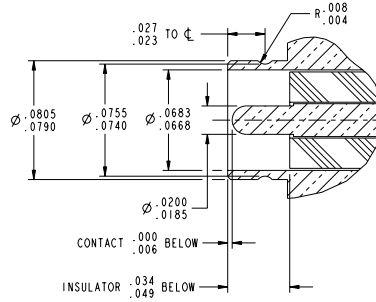
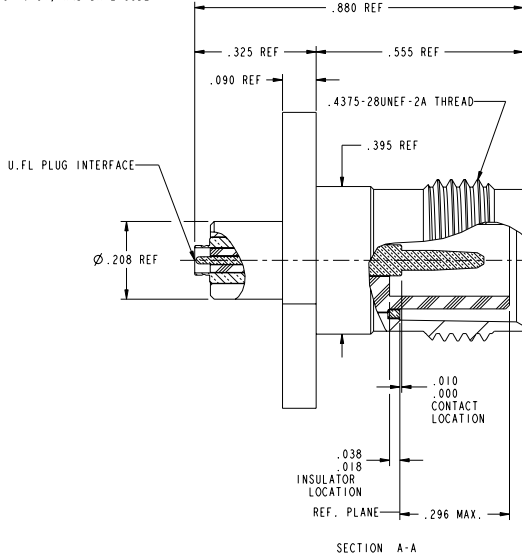
Stocking Distributor

Click to view price, real time Inventory, Delivery & Lifecycle Information:

[Amphenol RF](#)
[031-6137](#)

For any questions, you can email us directly:
sales@integrated-circuit.com

- NOTES:
 1. MATERIALS AND FINISHES:
 BODY - BRASS, NICKEL PLATING (.0008 THICK MIN.)
 CONTACT - BRASS, GOLD PLATING (.00003 THICK MIN.)
 INSULATOR - PTFE
 2. ELECTRICAL:
 A. IMPEDANCE: 50 OHM
 B. FREQUENCY RANGE: DC - 3 GHz
 3. MECHANICAL:
 A. DURABILITY: TNC, 500 CYCLES MIN.
 AMC, 30 CYCLES MIN.
 B. TEMPERATURE RANGE: -40° C TO 90° C
 C. AMC INTERFACE IS FULLY COMPATIBLE WITH "U.FL" SERIES PRODUCT
 4. PACKAGING:
 A. QUANTITY: SINGLE PACK
 B. MARKING: BAG TO BE MARKED
 "AMPHENOL, 31-6137, AND DATE CODE"



CUSTOMER OUTLINE DRAWING
 ALL OTHER SHEETS ARE FOR INTERNAL USE ONLY

31-6137		REVISIONS			
DRAWING NO.	REV	DESCRIPTION	DATE	ECO	APPR
THIRD ANGLE PROJ.	A	RELEASE TO MFG.	1/8/04	44741	JLB
	B	FIXED TNC BODY	1/16/04	44772	

UNLESS OTHERWISE SPECIFIED, DIMENSIONS ARE IN INCHES AND TOLERANCES ARE:
 2 PLACE DECIMAL ±.015 (0.381 mm)
 3 PLACE DECIMAL ±.005 (0.127 mm)
 ANGLES ± 1°
 NOTICE - These drawings, specifications, or other data (1) are, and remain the property of Amphenol Corp. (2) must be returned upon request; and (3) are confidential and not to be disclosed to any person other than those to whom they are given by Amphenol Corp. The furnishing of these drawings, specifications, or other data by Amphenol Corp., or to any other person to anyone for any purpose is not to be regarded by implication or otherwise in any manner licensing, granting rights or permitting such holder or any other person to manufacture, use or sell any product, process or design, patented or otherwise, that may in any way be related to or disclosed by said drawings, specifications, or other data.

MATERIAL	DRAWN	DATE
	J. LEBLANC	12/04/03
REFERENCE	ENGINEER	DATE
SIMILAR TO 31-6101	G. ANTONINI	9/12/02
GEN# ASSYMI_UFL	APPROVED	DATE
	O. BARTHELMES	1/7/04
CAD FILE	CODE ID	DWG SIZE
1:\TNC\31-6137	74868	B

TITLE	Amphenol RF
AMC PLUG TO	Danbury, CT, USA
TNC REVERSE POLARITY JACK	Tainan, Taiwan
PANEL ADAPTER	Shenzhen, China
	www.amphenolrf.com
SCALE: 4.0:1	SHEET 2 OF 2
DRAWING NO.	REV
31-6137	B