

Excellent Integrated System Limited

Stocking Distributor

Click to view price, real time Inventory, Delivery & Lifecycle Information:

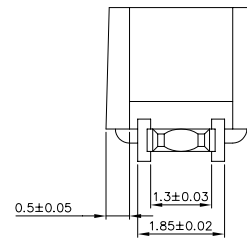
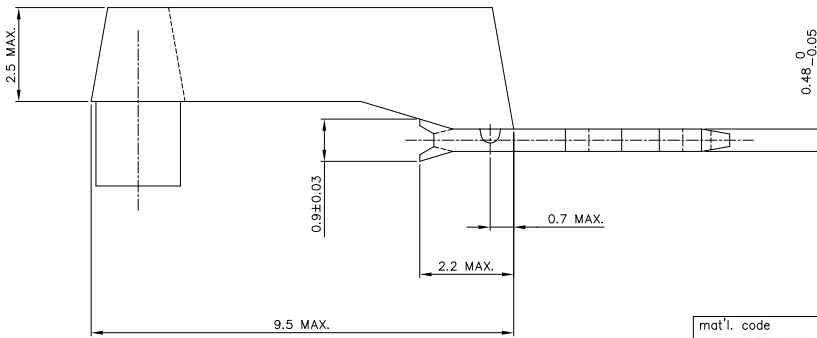
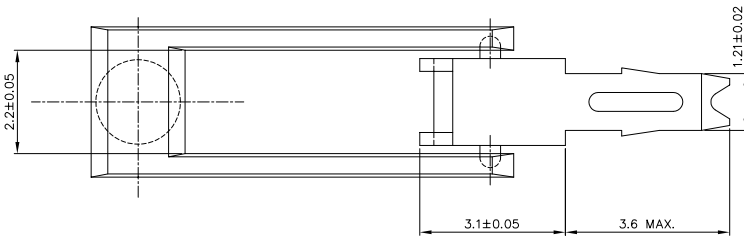
[FCI](#)
[65259-001LF](#)

For any questions, you can email us directly:
sales@integrated-circuit.com

PRODUCT NUMBER
65259-001

NOTES:-

1. THIS PRODUCT MEETS EUROPEAN UNION DIRECTIVES AND OTHER COUNTRY REGULATIONS AS DESCRIBED IN GS-22-008.
2. LEADFREE OR RoHS DIRECTIVE LABELLING TO BE PROVIDED AS PER GS-14-920.
3. " LF " SUFFIX TO PRODUCT NUMBER FOR RoHS COMPATIBLE/ LEADFREE VERSION.
4. PARTS WITH AND WITHOUT "LF " SUFFIX ARE FORM-FIT AND FUNCTIONALLY IDENTICAL. " LF " SUFFIX PROVIDED FOR PART NUMBER STANDARDISATION OF PART THAT MEETS RoHS REQUIREMENTS.
5. MATERIAL: MODIFIED POLYPHENYLENE OXIDE UNFILLED.
COLOUR: GREY (RAL7035).
FLAMMABILITY: PER UL-94-V1.
6. FOR APPLICATION DRW. SEE TA322.
7. B.P. DRAIN WIRE KEY IS SUITABLE FOR WIRE AWG 26/30.



mat'l. code	SEE NOTE	surface	tolerance	projection	product family
ISO 1302	ISO 406 ISO 1101	tolerances unless otherwise specified	angles	linear	BACKPANEL
ltr	ecn no	dr	date	mm	title
A	H10106	HVS	1991-03-15	mm	B.P.DRAIN WIRE KEY
B	F00406	LLA	2000-05-24	mm	
C	I05-0123	MINI	2005-07-27	mm	
D	I05-0248	MINI	2005-11-22	mm	
E	I06-0068	MINI	2006-06-01	mm	
		dr	D.LEGRAND	2000-10-02	dwg no
		enrg	J.F.NOTTEAU	2000-10-02	sheet 1 of 1
		chr	RAKHEE GEORGE	2006-06-01	65259
		appr	RAKHEE GEORGE	2006-06-01	size
sheet index	revision sheet	E	1		A3
					type Product Customer Drawing