

## **Excellent Integrated System Limited**

Stocking Distributor

Click to view price, real time Inventory, Delivery & Lifecycle Information:

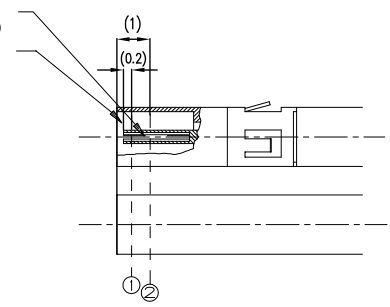
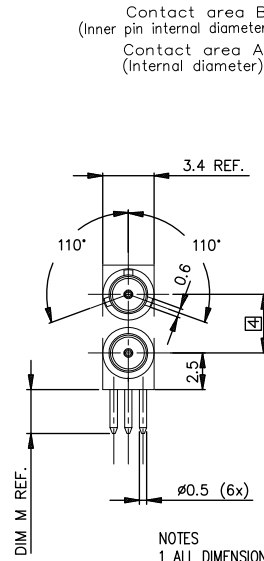
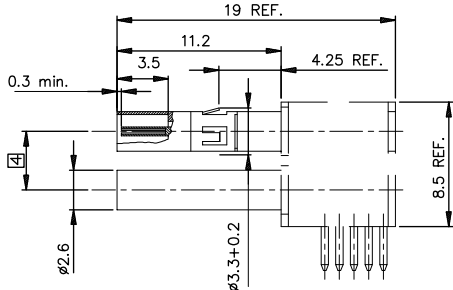
[FCI](#)

[70239-002LF](#)

For any questions, you can email us directly:

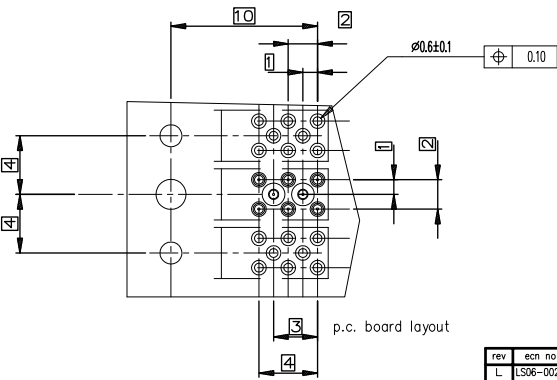
[sales@integrated-circuit.com](mailto:sales@integrated-circuit.com)

LEAD FREE P/N	DIM M	PCB Thk.	REMARKS
70239-001LF	2.80	1.6mm	
70239-002LF	3.80	2.4mm	
70239-003LF	2.20	1.6mm	CUSTOMER SPECIAL
70239-004LF	2.92	1.6mm	CUSTOMER SPECIAL



Area A	1.27µm Au Min.(See note 5)
Area B	Position 2
	Positions 1

Plating on contact area



**NOTES**

- 1 ALL DIMENSIONS ARE REFERENCE
- 2 THIS PRODUCT WITH "LF" SUFFIX MEETS EUROPEAN UNION DIRECTIVES AS DESCRIBED ON GS-47-0004
- 3 THE HOUSING WILL WITHSTAND EXPOSURE TO 260 DEGREE PEAK TEMPERATURE FOR 10 SECONDS IN A WAVE SOLDER APPLICATION WITH A MINIMUM CIRCUIT BOARD THICKNESS : 1.6mm
- 4 PACKAGING SPEC: SEE GS-14-920
- 5 RECOMMENDED MEASUREMENT DEVICE: X-RAY PER RECOMMENDED PRACTICE RP-GL-TERP-M-0232. MEASURED AREAS SHOULD NOT BE DAMAGED

**European Views**

www.fciconnect.com		surface ISO 1302	tolerance std ISO 406 ISO 1101	projection mm
		TOLERANCES UNLESS OTHERWISE SPECIFIED		
Dr	GOISNARD	2006/03/04	ANGULAR	size A3
Eng	GOISNARD	2006/03/04	LINEAR	Scale 4
Chr	LEGARE	2006/03/04	0.xx ±0.1	ECN B-17802
Appr	LEGARE	2006/03/04	0.xxx ±0.1	Spec ref -
Product family		METRAL		
Title		R/A FEMALE 50ohm		Rev.
catalog no		70239		P
		CUSTOMER		sheet 1 of 1

rev	ecn no	dr	date
L	LS06-0022	LGO	2006/03/04
M	LS07-0214	LGO	2007/08/20
N	LS08-0057	LGO	2008/02/18
P	B-17802	APA	2014/05/28

REV F - 2006-04-17

1

2

3

4

PDS: Rev. B

STATUS: Released

Printed: May 29, 2014

Copyright FCI