

Excellent Integrated System Limited

Stocking Distributor

Click to view price, real time Inventory, Delivery & Lifecycle Information:

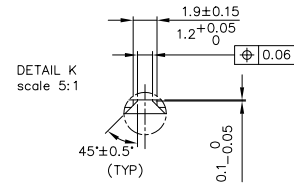
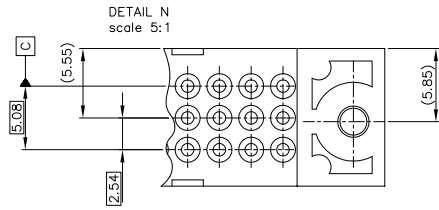
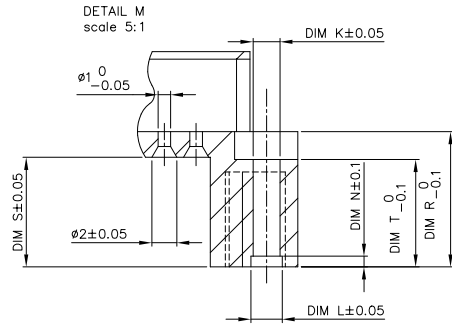
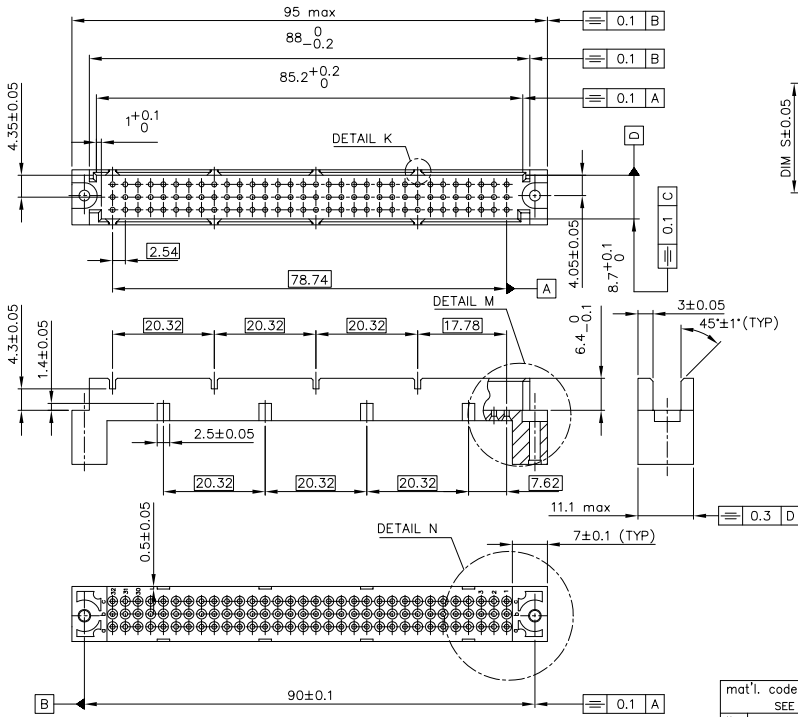
[FCI](#)

[77430-001LF](#)

For any questions, you can email us directly:

sales@integrated-circuit.com

PRODUCT NO	DIM R	DIM S	DIM T	DIM K	DIM L	DIM N	PIN LENGTH	PCB THICKNESS	RECOMMENDED SCREW LENGTH
77430-001	10.80	8.75	8.58	2.15	2.5	0.85	19 mm	3.20	12-15mm
77430-002	12.40	10.35	10.18	2.15	2.5	0.85	19 mm	1.60	10-12mm
77430-003	11.80	9.75	9.58	2.85	2.85	0	20 mm	3.20	--



- NOTES:-
1. THIS PRODUCT MEETS EUROPEAN UNION DIRECTIVES AND OTHER COUNTRY REGULATIONS AS DESCRIBED IN GS-22-008.
 2. LEADFREE OR RoHS DIRECTIVE LABELLING TO BE PROVIDED AS PER GS-14-920.
 3. " LF " SUFFIX TO PRODUCT NUMBER FOR RoHS COMPATIBLE/ LEADFREE VERSION.
 4. PARTS WITH AND WITHOUT " LF " SUFFIX ARE FORM-FIT AND FUNCTIONALLY IDENTICAL. " LF " SUFFIX PROVIDED FOR PART NUMBER STANDARDISATION OF PART THAT MEETS RoHS REQUIREMENTS.

5. MATERIAL: THERMOPLASTIC POLYESTER, FLAME RETARDANT PER UL-94-V0; COLOUR: GREY
6. MOUNTING HOLES SUITED FOR SELF-TAPPING SCREWS M2.5 FOR RECOMMENDED LENGTH SEE TABLE

mat'l. code				surface			tolerance		projection		product family			
SEE NOTE				ISO 1302	ISO 406	ISO 1101	tolerances unless otherwise specified		mm		BACKPANEL			
ltr	ecn no	dr	date	angles	linear	scale	mm		title		SHROUD STAND-OFF			
D	H40675	DOB	1994-10-28											
E	F00406	LLA	2000-05-24											
F	I05-0123	MINI	2005-07-27											
G	I05-0248	MINI	2005-11-22	dr	D.LEGRAND	2000-10-10								
H	I06-0082	MINI	2006-06-01	enrg	J.F.NOTTEAU	2000-10-10								
				chr	RAKHEE GEORGE	2006-06-01								
				app	RAKHEE GEORGE	2006-06-01								
sheet index	revision sheet	H	1									dwg no	sheet 1 of 1	size
												77430	A3	
											type	Product Customer Drawing		