

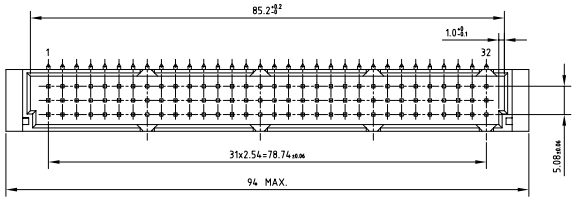
Excellent Integrated System Limited

Stocking Distributor

Click to view price, real time Inventory, Delivery & Lifecycle Information:

[FCI](#)
[86093647113760SKLF](#)

For any questions, you can email us directly:
sales@integrated-circuit.com



TECHNICAL SPECIFICATION

HOUSING MATERIAL	TERMOPLASTIC POLYESTER UL94V0, GREY
HOUSING CAN WITHSTAND EXPOSURE TO LEAD FREE WAVE SOLDERING TEMPERATURE OF 260-265°C	
WHEN USED WITH PROTECTIVE ADHESIVE OR PROTECTIVE METALLIC DEVICE FOR ANGLE CONNECTORS AS IT IS USED IN CLASSICAL LEAD WAVE SOLDERING AT 235-250°C.	
CONTACT & HARPOON MATERIAL	COPPER ALLOY
CONTACT PLATING	
CONTACT ZONE	Au OVER Ni
TERMINATION ZONE	Sn (PURE MATT) OVER Ni FOR LEAD FREE VERSION
HARPOON PLATING	Sn (PURE MATT) OVER Ni FOR LEAD FREE VERSION

ELECTRICAL DATA

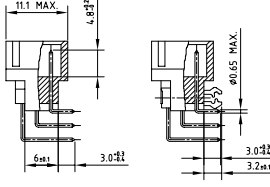
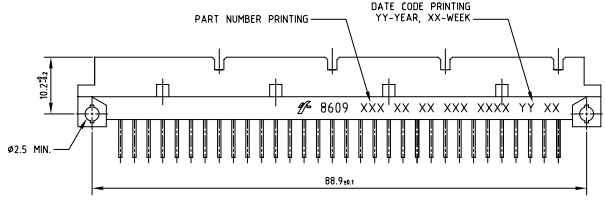
CURRENT RATING AT 20°C	15 A
CURRENT (I MAX)	2 A
TEMPERATURE RANGE	-55°C TO +125°C
CONTACT RESISTANCE	≤ 20mΩ
INSULATION RESISTANCE	≥ 20 ¹⁰ MΩ
TEST VOLTAGE (rms)	1000 V

MECHANICAL DATA

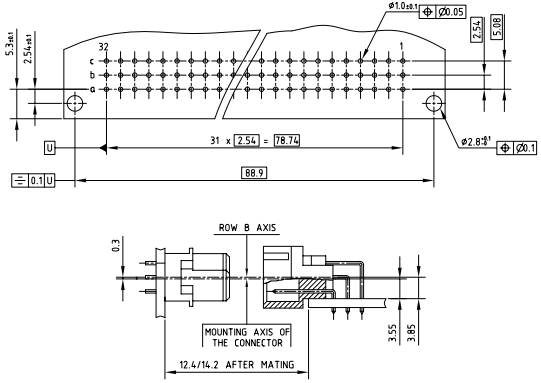
INSERTION FORCE PER CONTACT	≤ 0.94 N
EXTRACTION FORCE PER CONTACT	≥ 0.15 N

REFERENCE SPECIFICATION : DIN 41612 / IEC 603-2

SERIES	8609	3	64	7	1	13	H	8	0	SKLF
ROWS FITTED WITH CONTACTS										
ROW a b c										
NO. OF CONTACTS										
TYPE OF INSULATOR										
3 ROW MALE INSULATOR										
METHOD OF MOUNTING										
STANDARD MOUNTING - STYLE C										
TERMINATION										
ANGLED SPILL										
OPTIONS:										
NO OPTION										
WITH HARPOONS										
PERFORMANCE CLASS										
DIN 41612 CLASS 3										
DIN 41612 CLASS 2										
DIN 41612 CLASS 1										
AS PER MIL C 55302 / JSS 50808										
PITCH PER ROW										
MIXED PITCH										
SPECIAL CODE: SPECIAL LOADING OF CONTACTS, LEAD FREE VERSION	SKLF									
CONTACTS LOADED ONLY IN	a: 1,2,3,4,5,6,7,8,9,10,11,12,13,14,15,16,17,18,19,20,21,22,23,24,25,26,27,28,29,30,31,32 b: 2,4,6,8,10,12,14,16,18,20,22,24,26,28,30,32 c: 2,4,6,8,10,12,14,16,18,20,22,24,26,28,30,32									



PCB DRILLING DETAILS



- NOTES:**
1. THE "LF" PRODUCTS MEET EUROPEAN UNION DIRECTIVES AND OTHER COUNTRY REGULATIONS AS DESCRIBED IN GS-22-008.
 2. THE HOUSING WILL WITHSTAND EXPOSURE TO 260°C PEAK TEMPERATURE FOR 3.5 SECONDS IN A WAVE SOLDER APPLICATION WITH A 1.6 MM MINIMUM THICK CIRCUIT BOARD.
 3. LEAD FREE OR RoHS DIRECTIVE LABELING TO BE PROVIDED AS PER GS-14-920 FOR LEAD FREE VERSION.

mat'l. code	SEE TECH. SPEC.	surface	ISO 1302	tolerance	ISO 406 ISO 1101	projection	product family	8609
ltr	ecn no	dr	date	tolerances unless otherwise specified			title	DIN STANDARD HEADER
A	110-0164	SAL	2010-08-16	angles	0±1°	mm	ANGLED SPILL DIN 41612 STYLE-C	
				linear		scale 3:2	dwg no	C-8609-2149
				dr	JOHN SLEEBA	2008-09-05	sheet 1 of 1	A3
				enqr	JOHN SLEEBA	2008-09-05	size	
				chr	STALIN ALOSUS	2010-08-16	type	Product Customer Drawing
				appd	STALIN ALOSUS	2010-08-16		
sheet index	revision sheet	A	1					