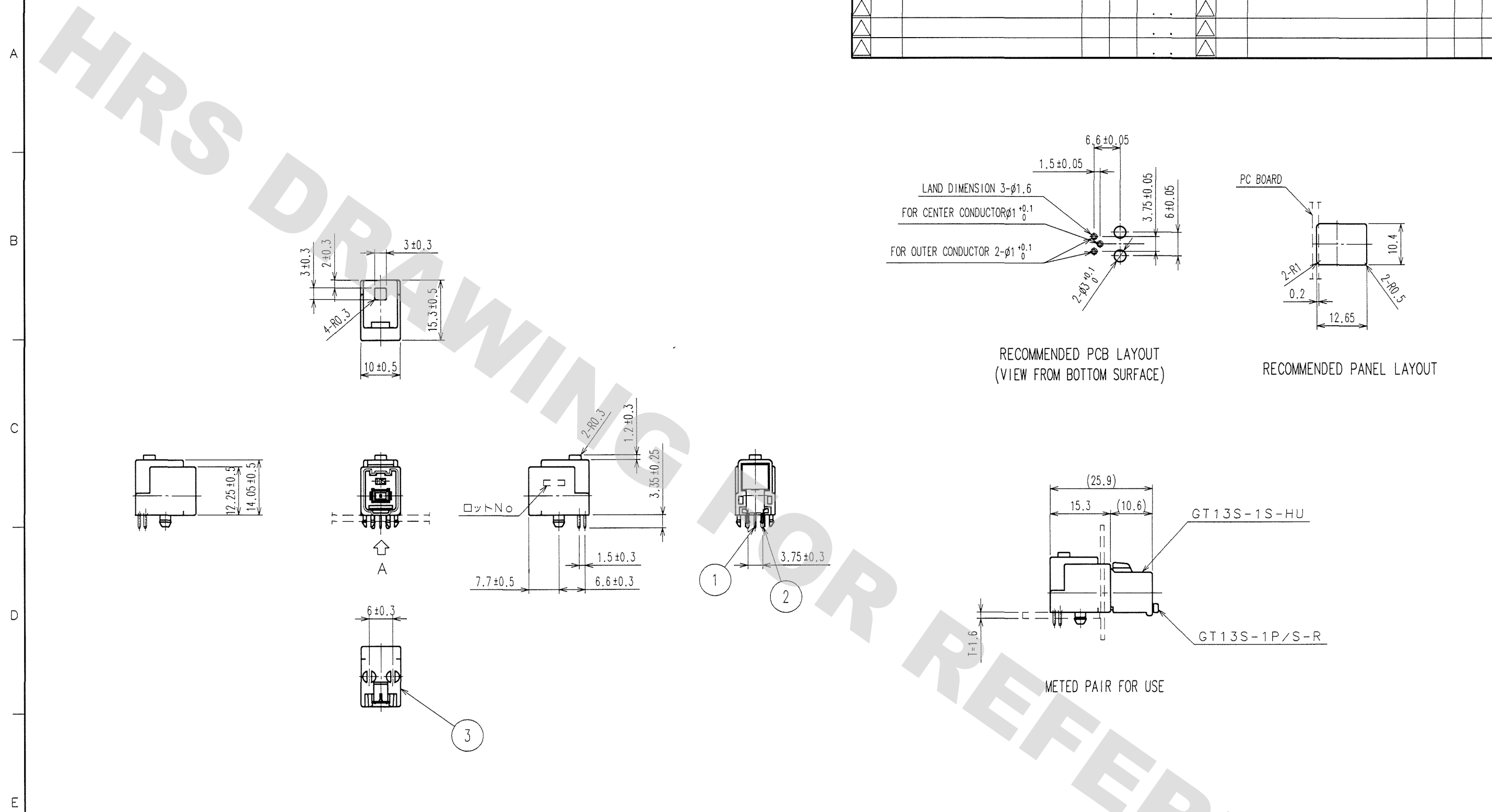


1 2 3 4 5 6 7 8

COUNT	DESCRIPTION OF REVISIONS	BY	CHKD	DATE	COUNT	DESCRIPTION OF REVISIONS	BY	CHKD	DATE
△				..	△				..
△				..	△				..
△				..	△				..



DRAWING FOR REFERENCE: This is subject to change without notice
05/21/2015

TO

2	COPPER ALLOY	TIN PLATED			
1	COPPER ALLOY	TIN PLATED	3	PBT	UL94HB, LIGHT GRAY
NO.	MATERIAL	FINISH, REMARKS	NO.	MATERIAL	FINISH, REMARKS
CODE NO. (OLD) CL		DRAWN	DESIGNED	CHECKED	APPROVED
		S.KURIYA	M.OKADA	K. Xato	K. Xato
		06.12.22	03. 8. 8	06.12.22	06.12.22
DRAWING NO. EDC3-166121-01		PART NO. GT13SHA-1PP-DS(10)			
SCALE 1 : 1		UNITS mm		CODE NO. CL763-0062-8-10	
HRS HIROSE ELECTRIC CO., LTD		1/1			