

Excellent Integrated System Limited

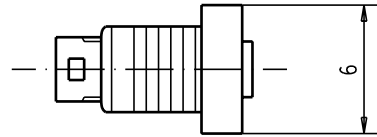
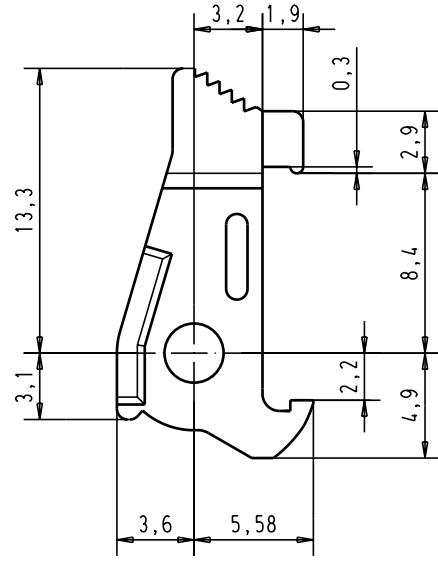
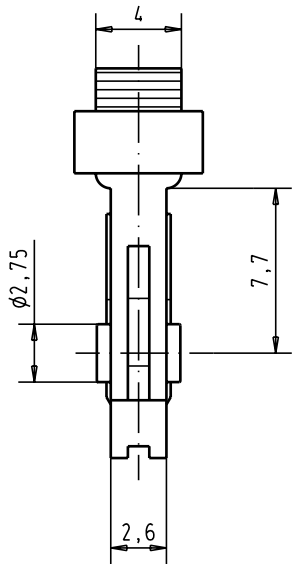
Stocking Distributor

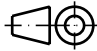

Click to view price, real time Inventory, Delivery & Lifecycle Information:

[Harting](#)
[09190009904](#)

For any questions, you can email us directly:
sales@integrated-circuit.com

Alle Rechte vorbehalten/ All rights reserved



			Det.	Name	 All Dim. in mm Orig. Size DIN A 4	SEK 19 High temperature short locking lever	Maßstab/ Scale 4 : 1	
			Detail.	25-APR-02				CV
			Insp.					
			Stand.					
29778	25-APR-02	CV	HARTING F-95972 Paris				TB 09190009904	Blatt/ Page 1 / 1
Mod.	Det.	Name	Sub.					