

Excellent Integrated System Limited

Stocking Distributor

Click to view price, real time Inventory, Delivery & Lifecycle Information:

[Harting](#)

[09200009932](#)

For any questions, you can email us directly:

sales@integrated-circuit.com

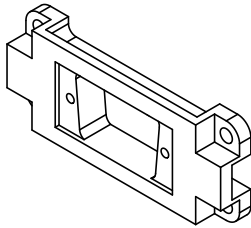
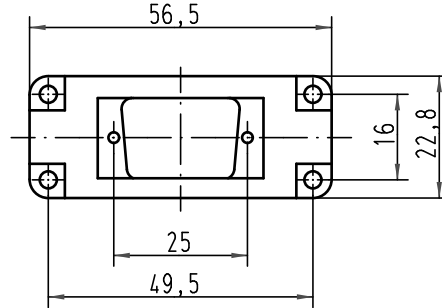
1 2 3 4 5 6

A

B

C

D



Zum Lieferumfang gehören

- 2 x Schrauben ISO 1481-St2,9x6,5-F
- 4 x Schrauben ISO 1207-M3x10

belongs to range of delivery

- 2 x screws ISO 1481-St2,9x6,5-F
- 4 x screws ISO 1207-M3x10

All Dimensions in mm Original Size DIN A 4			Techn. Character.			Nicht tolerierte Maß/Free size tolerances		
			Detail.	19.03.93	WILD	Maßstab/Scale	1:1	Han 10A-D-Sub 9 Adapterplatte/ adapterplate
			Insp.		HERB			
			Stand.					
413155	27.08.07	Ho	HARTING Electric GmbH & Co. KG				TB 09 20 000 9932	Blatt/ page
25625	01.04.99	PL	D-32339 Espelkamp					
Mod.	Dat.	Name						