

Excellent Integrated System Limited

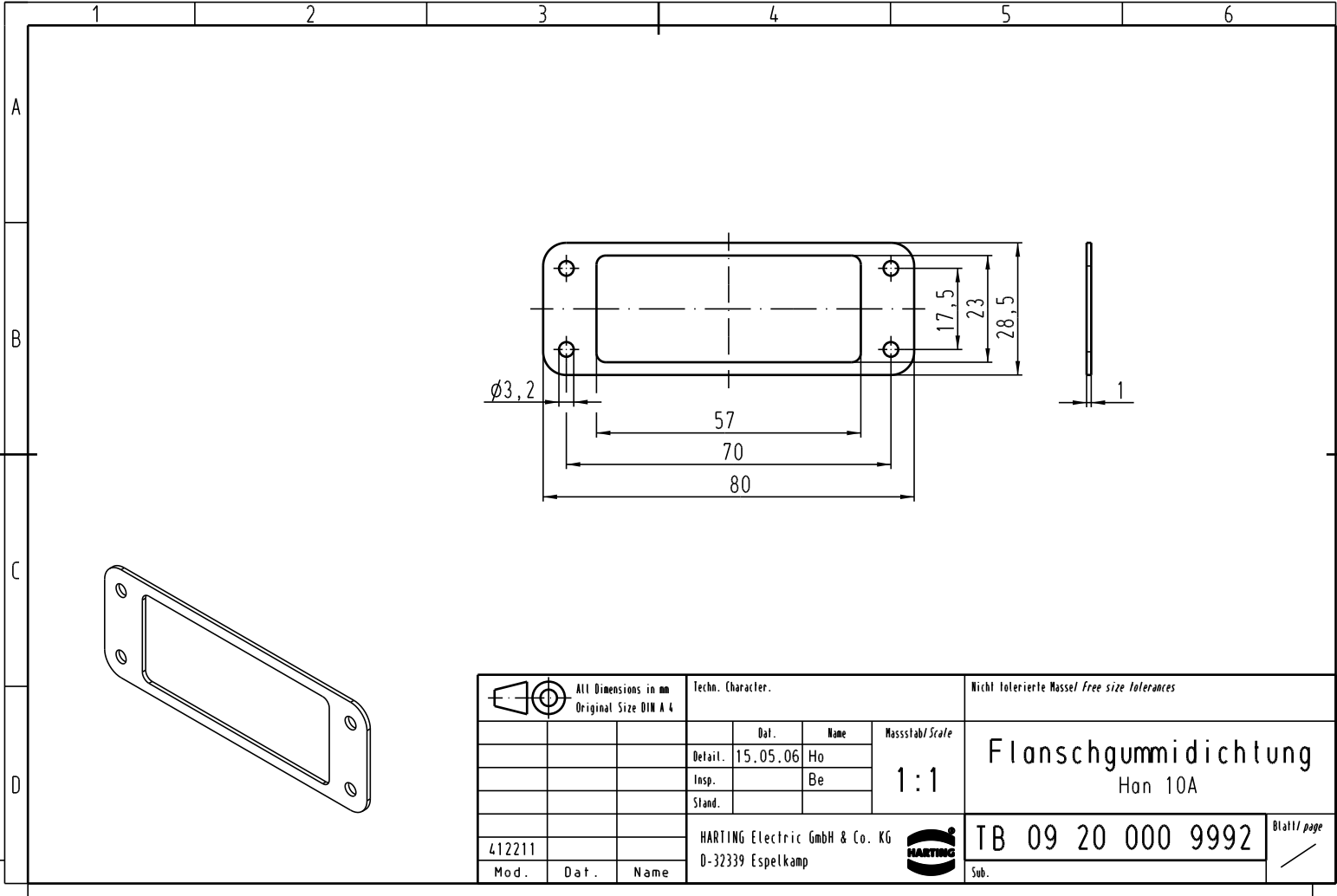
Stocking Distributor

Click to view price, real time Inventory, Delivery & Lifecycle Information:

[Harting](#)
[09200009992](#)

For any questions, you can email us directly:
sales@integrated-circuit.com

Alle Rechte vorbehalten/ All rights reserved



All Dimensions in mm Original Size DIN A 4			Techn. Character.			Nicht tolerierte Masse free size tolerances	
				Dat.	Name	Maststab/Scale 1:1	Flanschgummidichtung Han 10A
	Detail.	15.05.06	Ho				
	Insp.		Be				
	Stand.						
412211			HARTING Electric GmbH & Co. KG			TB 09 20 000 9992	
Mod.	Dat.	Name	D-32339 Espelkamp			Sub.	



Blatt / page