

Excellent Integrated System Limited

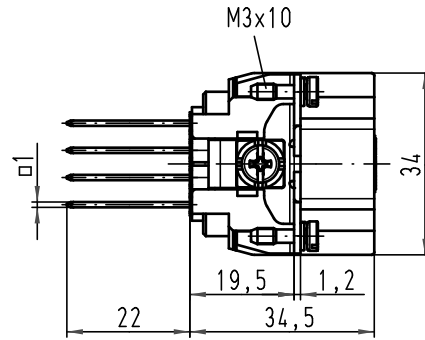
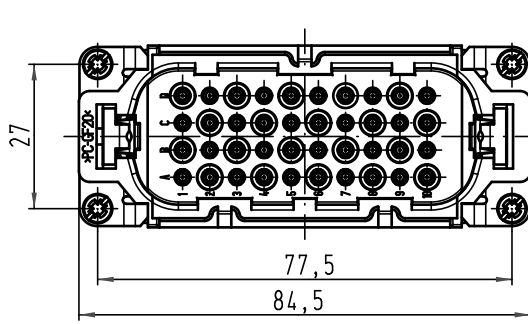
Stocking Distributor

Click to view price, real time Inventory, Delivery & Lifecycle Information:

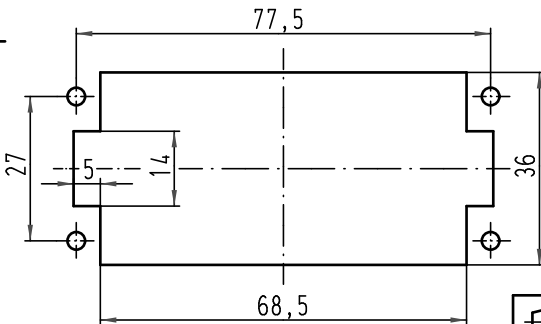
[Harting](#)
[09210402601](#)

For any questions, you can email us directly:
sales@integrated-circuit.com

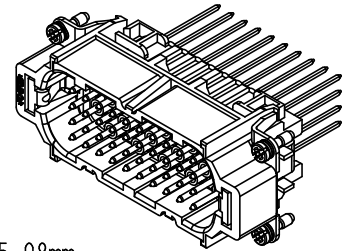
Alle Rechte vorbehalten/ All rights reserved



Montageausschnitt
panel cut out



Rasterabstand zwischen den Kontakten: 5,08mm
 screen line distance between the contacts: 5,08mm



All Dimensions in mm Original Size DIN A 4			Techn. Character.			Nicht tolerierte Maß/Free size tolerances	
				Dat.	Name	Maßstab/Scale 1:1	Han 40D-M-ww-□1 Stifteinsatz Wickelanschluss male insert wrap terminal
			Detail.	12.03.09	Ho		
			Insp.		drie		
			Stand.				
B	08.02.11	Ho	HARTING Electric GmbH & Co. KG				TB 09 21 040 2601
A			D-32339 Espelkamp				
Mod.	Dat.	Name					Blatt/ page Sub. TB 09 21 040 2601 v. 12.04.99