

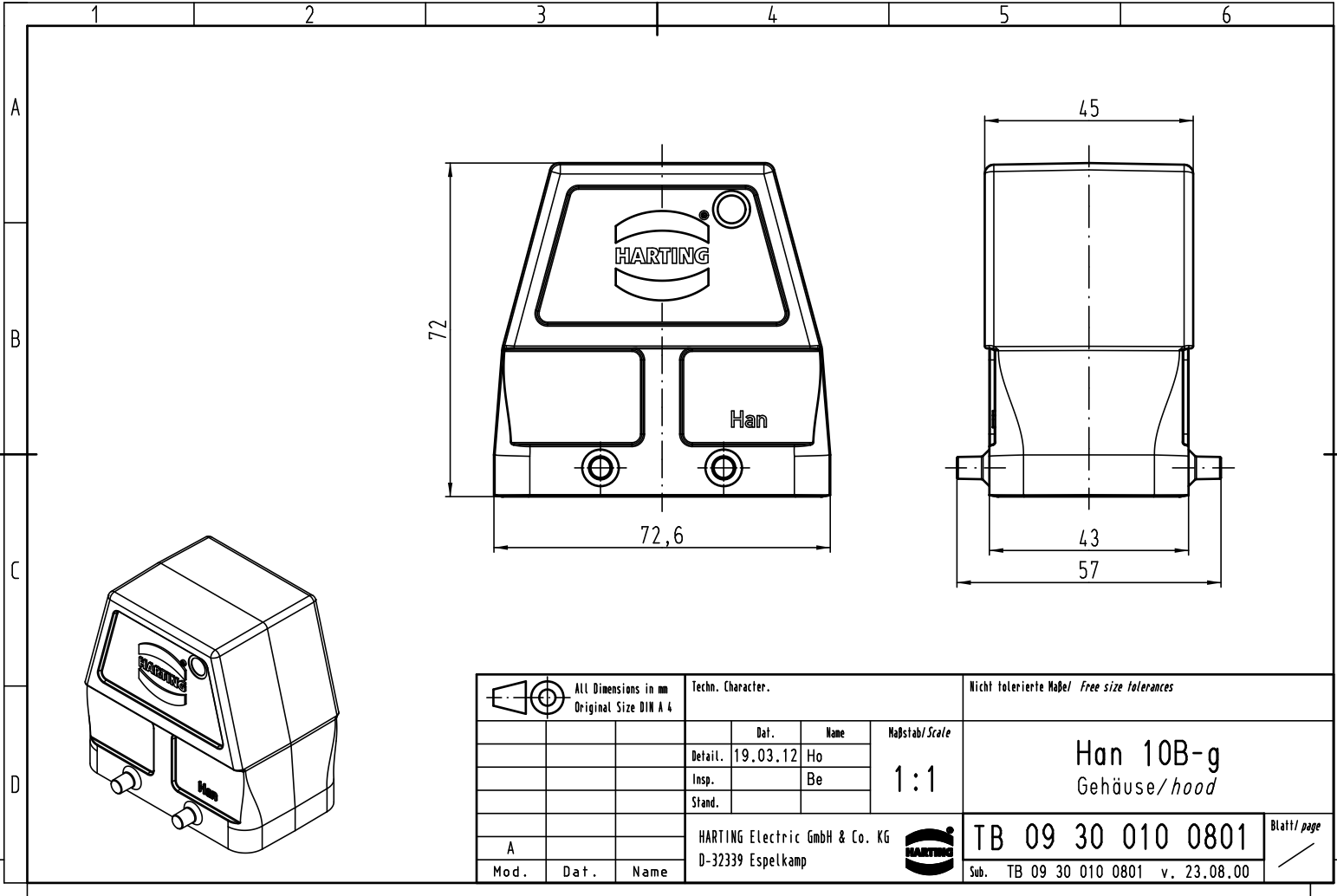
## Excellent Integrated System Limited



Stocking Distributor

Click to view price, real time Inventory, Delivery & Lifecycle Information:

[Harting](#)  
[09300100801](#)

For any questions, you can email us directly:  
[sales@integrated-circuit.com](mailto:sales@integrated-circuit.com)



 All Dimensions in mm Original Size DIN A 4			Techn. Character.			Nicht tolerierte Maße! Free size tolerances													
				<table border="1"> <tr> <td>Detail.</td> <td>19.03.12</td> <td>Ho</td> </tr> <tr> <td>Insp.</td> <td></td> <td>Be</td> </tr> <tr> <td>Stand.</td> <td></td> <td></td> </tr> </table>	Detail.	19.03.12	Ho	Insp.		Be	Stand.			<table border="1"> <tr> <td>Maßstab/Scale</td> <td rowspan="2">1:1</td> </tr> </table>	Maßstab/Scale	1:1	<b>Han 10B-g</b> Gehäuse/hood		
Detail.	19.03.12	Ho																	
Insp.		Be																	
Stand.																			
Maßstab/Scale	1:1																		
A																			
Mod.	Dat.	Name	HARTING Electric GmbH & Co. KG D-32339 Espelkamp					<b>TB 09 30 010 0801</b> Sub. TB 09 30 010 0801 v. 23.08.00	Blatt/ page										