

Excellent Integrated System Limited

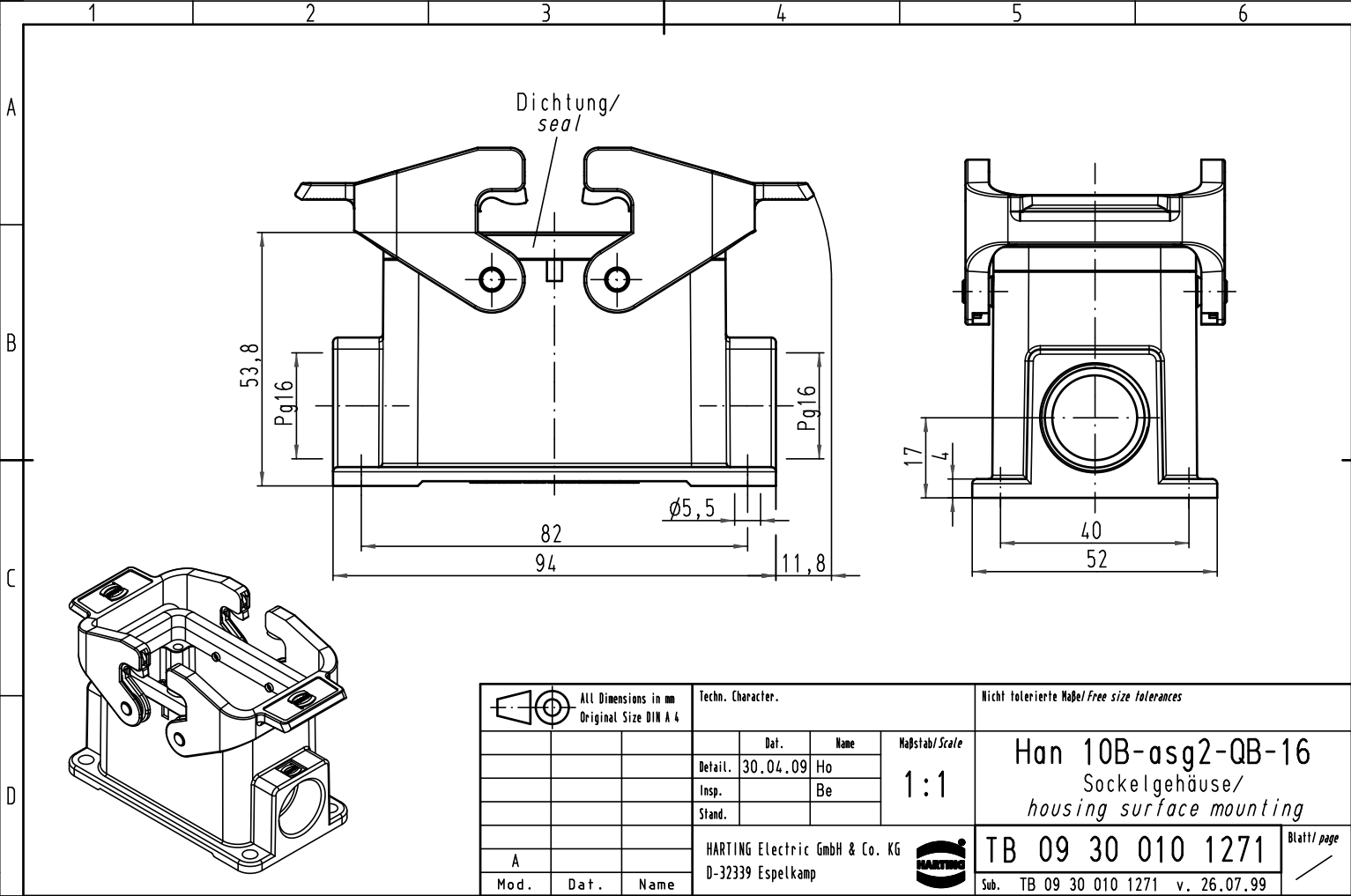
Stocking Distributor

Click to view price, real time Inventory, Delivery & Lifecycle Information:

[Harting](#)
[09300101271](#)

For any questions, you can email us directly:
sales@integrated-circuit.com

Alle Rechte vorbehalten/ All rights reserved



All Dimensions in mm Original Size DIN A 4		Techn. Character.			Nicht tolerierte Maß/Free size tolerances	
			Dat. 30.04.09	Name Ho	Maßstab/Scale 1:1	Han 10B-asg2-QB-16 Sockelgehäuse/ housing surface mounting
			Insp.	Be		
			Stand.			
A			HARTING Electric GmbH & Co. KG D-32339 Espelkamp			TB 09 30 010 1271 Sub. TB 09 30 010 1271 v. 26.07.99
Mod.	Dat.	Name				