

Excellent Integrated System Limited

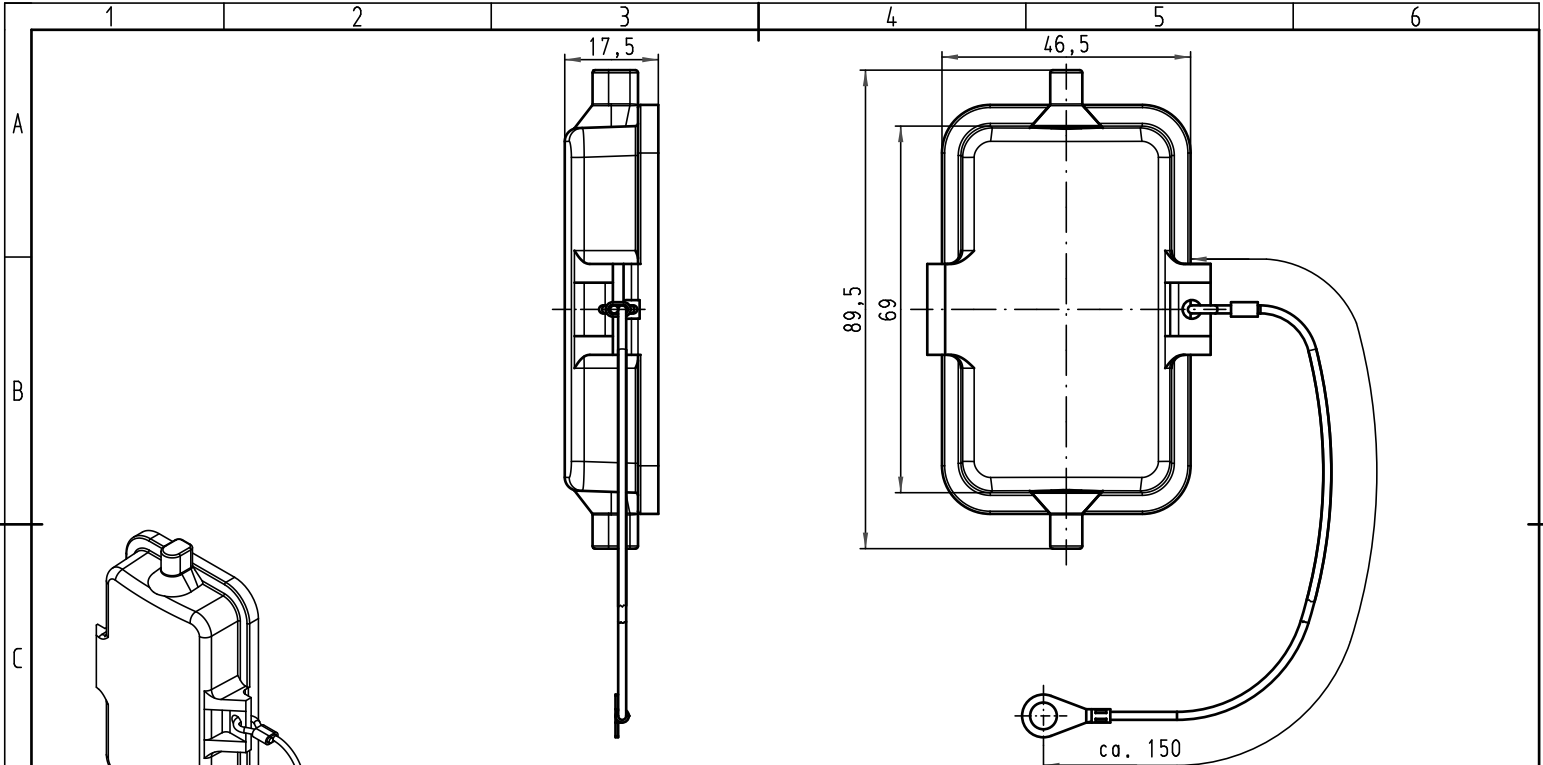
Stocking Distributor

Click to view price, real time Inventory, Delivery & Lifecycle Information:

[Harting](#)
[09300105412](#)

For any questions, you can email us directly:
sales@integrated-circuit.com

Alle Rechte vorbehalten/ All rights reserved



All Dimensions in mm Original Size DIN A 4			Techn. Character.			Nicht tolerierte Maß/Free size tolerances																			
			<table border="1"> <tr> <td></td> <td>Dat.</td> <td>Name</td> <td rowspan="4"> Maßstab/Scale 1:1 </td> <td colspan="3" rowspan="4"> Abdeckkappe <i>cover</i> </td> </tr> <tr> <td></td> <td>Detail.</td> <td>30.11.99 Th</td> </tr> <tr> <td></td> <td>Insp.</td> <td>SDT</td> </tr> <tr> <td></td> <td>Stand.</td> <td></td> </tr> </table>		Dat.	Name	Maßstab/Scale 1:1	Abdeckkappe <i>cover</i>				Detail.	30.11.99 Th		Insp.	SDT		Stand.							
	Dat.	Name	Maßstab/Scale 1:1	Abdeckkappe <i>cover</i>																					
	Detail.	30.11.99 Th																							
	Insp.	SDT																							
	Stand.																								
<table border="1"> <tr> <td>413164</td> <td>30.08.07</td> <td>Ho</td> </tr> <tr> <td>27642</td> <td></td> <td></td> </tr> <tr> <td>Mod.</td> <td>Dat.</td> <td>Name</td> </tr> </table>	413164	30.08.07	Ho	27642			Mod.	Dat.	Name	HARTING Electric GmbH & Co. KG D-32339 Espelkamp						<table border="1"> <tr> <td colspan="3"> TB 09 30 010 5412 </td> <td rowspan="2"> Blatt/ page / </td> </tr> <tr> <td colspan="3"> Sub. TB 09 30 010 5412 v. 10.01.96 </td> </tr> </table>			TB 09 30 010 5412			Blatt/ page /	Sub. TB 09 30 010 5412 v. 10.01.96		
413164	30.08.07	Ho																							
27642																									
Mod.	Dat.	Name																							
TB 09 30 010 5412			Blatt/ page /																						
Sub. TB 09 30 010 5412 v. 10.01.96																									