

Excellent Integrated System Limited

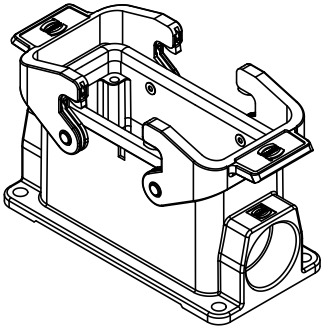
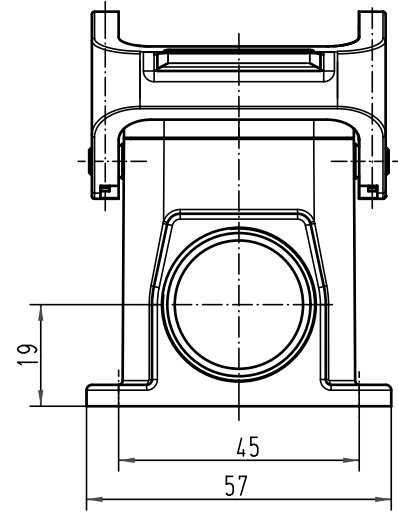
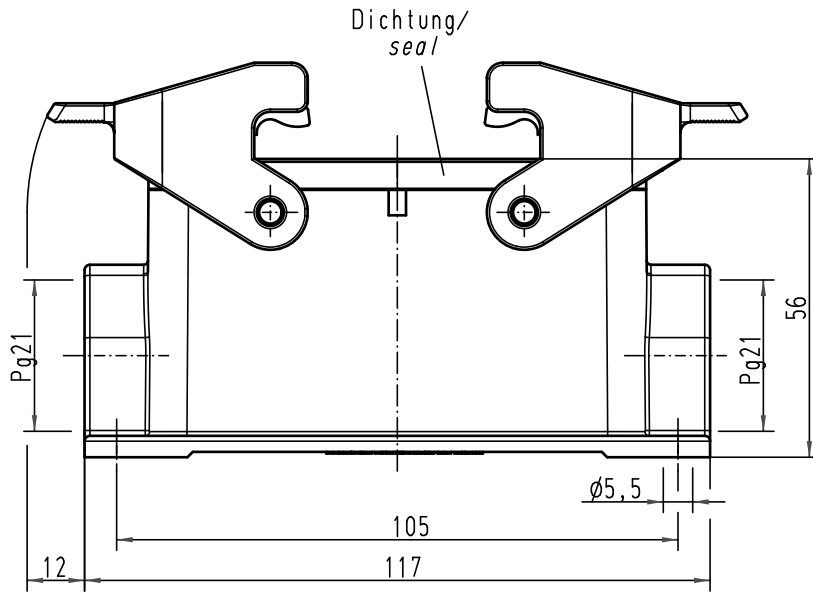
Stocking Distributor

Click to view price, real time Inventory, Delivery & Lifecycle Information:

[Harting](#)
[09300161270](#)

For any questions, you can email us directly:
sales@integrated-circuit.com

Alle Rechte vorbehalten/ All rights reserved



All Dimensions in mm Original Size DIN A 4			Techn. Character.			Nicht tolerierte Maß/Free size tolerances	
						Han 16B-asg2-QB-21 Sockelgehäuse/ housing surface mounting	
			Detail.	26.07.99	Gd		1:1
			Insp.		Sdt		
			Stand.				
413164	30.08.07	Ho	HARTING Electric GmbH & Co. KG			TB 09 30 016 1270	Blatt/ page
26138			D-32339 Espelkamp				
Mod.	Dat.	Name				Sub. TB 09 30 0.. 127. v. 28.01.93	