

## Excellent Integrated System Limited

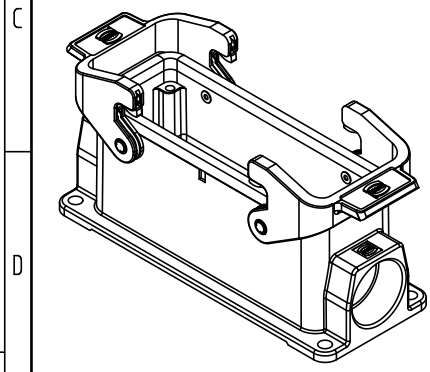
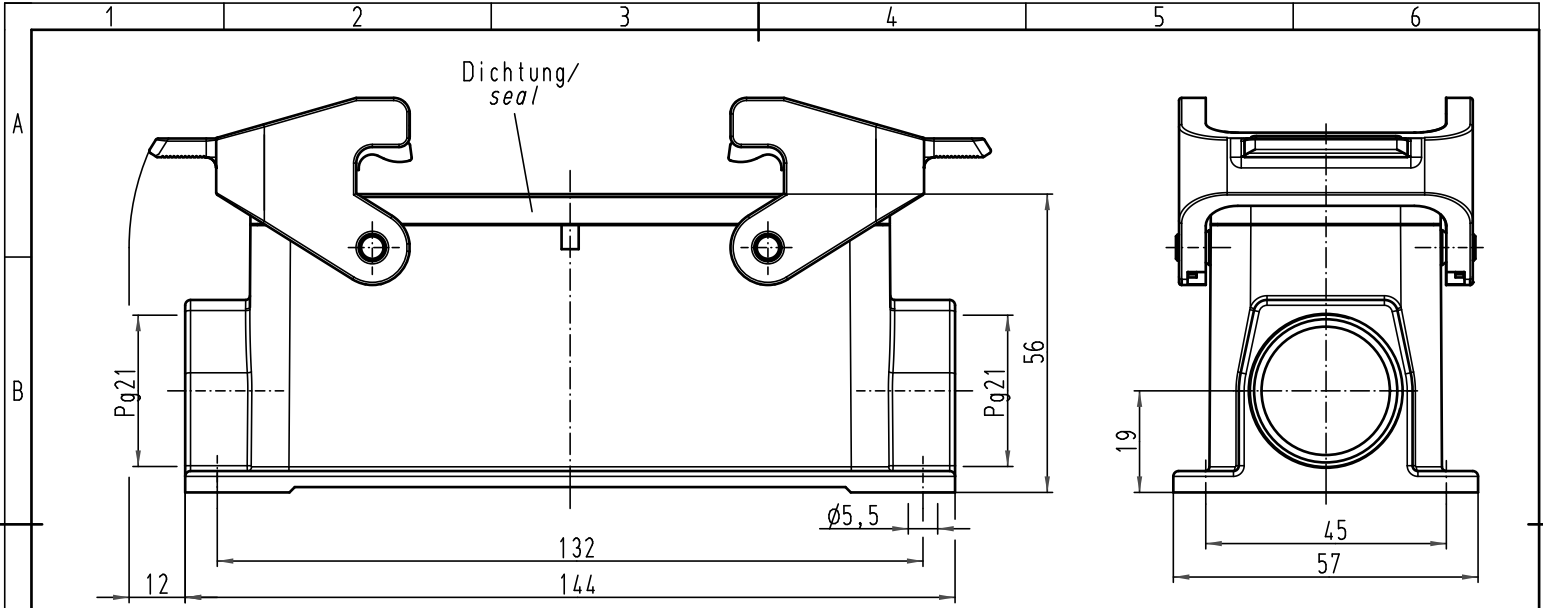
Stocking Distributor

Click to view price, real time Inventory, Delivery & Lifecycle Information:

[Harting](#)  
[09300241270](#)

For any questions, you can email us directly:  
[sales@integrated-circuit.com](mailto:sales@integrated-circuit.com)

Alle Rechte vorbehalten/ All rights reserved



All Dimensions in mm Original Size DIN A 4			Techn. Character.			Nicht tolerierte Maß/Free size tolerances		
			Dat. 26.07.99	Name Gt	Maßstab/Scale  1:1	<b>Han 24B-asg2-QB-21</b> Sockelgehäuse/ housing surface mounting		
			Insp.	Sdt				
			Stand.					
413164 26138 Mod.	30.08.07 Dat.	Ho Name	HARTING Electric GmbH & Co. KG D-32339 Espelkamp			<b>TB 09 30 024 1270</b> Sub. TB 09 30 0.. 127. v. 28.01.93		
						Blatt/ page		