

Excellent Integrated System Limited

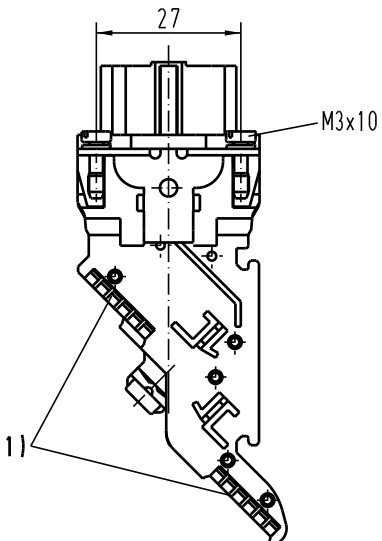
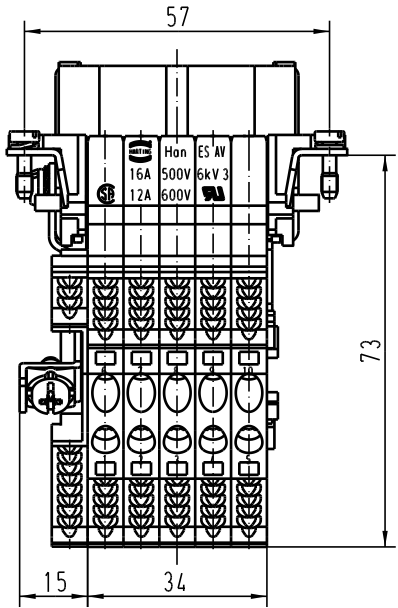
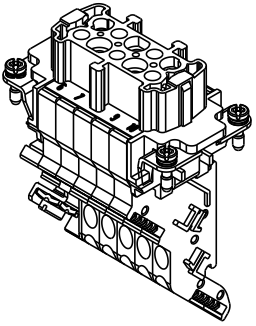
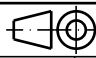



Stocking Distributor

Click to view price, real time Inventory, Delivery & Lifecycle Information:

[Harting](#)
[09330104739](#)

For any questions, you can email us directly:
sales@integrated-circuit.com

Alle Rechte vorbehalten/ All rights reserved

| 5 | 4 | 3 | 2 | 1 | | | | | | | | | | | | | | | | | |
|---|--|---|--|------|-------------------|----------|----|----------------|------|------|--|---------|--------------------------------|------|---|-------------------|-----|---|-----------------------|--|--|
| D |  | |  | | | | | | | | | | | | | | | | | | |
| C | <p>1) Aufnahme für Bezeichnungsschilder (max. 6-stellig) slots for designation strips (max. 6 digits)</p> | | | | | | | | | | | | | | | | | | | | |
| B |  | | | | | | | | | | | | | | | | | | | | |
| A |  <p>All Dimensions in mm Original Size DIN A 4</p> | | <table border="1" style="width:100%; border-collapse: collapse;"> <tr> <th colspan="3">Techn. Character.</th> <th rowspan="2">Maststab/Scale</th> </tr> <tr> <td>Dat.</td> <td colspan="2">Name</td> </tr> <tr> <td>Detail.</td> <td>24.01.95</td> <td>SPER</td> <td rowspan="3" style="text-align: center; vertical-align: middle; font-size: 2em;">1:1</td> </tr> <tr> <td>Insp.</td> <td colspan="2">SDT</td> </tr> <tr> <td>Stand.</td> <td colspan="2"></td> </tr> </table> | | Techn. Character. | | | Maststab/Scale | Dat. | Name | | Detail. | 24.01.95 | SPER | 1:1 | Insp. | SDT | | Stand. | | |
| Techn. Character. | | | Maststab/Scale | | | | | | | | | | | | | | | | | | |
| Dat. | Name | | | | | | | | | | | | | | | | | | | | |
| Detail. | 24.01.95 | SPER | 1:1 | | | | | | | | | | | | | | | | | | |
| Insp. | SDT | | | | | | | | | | | | | | | | | | | | |
| Stand. | | | | | | | | | | | | | | | | | | | | | |
| <table border="1" style="width:100%; border-collapse: collapse;"> <tr> <td>411631</td> <td>01.06.05</td> <td>Loe.</td> </tr> <tr> <td>410278</td> <td>05.01.05</td> <td>DY</td> </tr> <tr> <td>Mod.</td> <td>Dat.</td> <td>Name</td> </tr> </table> | | 411631 | 01.06.05 | Loe. | 410278 | 05.01.05 | DY | Mod. | Dat. | Name | <table border="1" style="width:100%; border-collapse: collapse;"> <tr> <td colspan="2">HARTING Electric GmbH & Co. KG</td> <td rowspan="2" style="text-align: center;"></td> </tr> <tr> <td colspan="2">D-32339 Espelkamp</td> </tr> </table> | | HARTING Electric GmbH & Co. KG | |  | D-32339 Espelkamp | | <p>Wicht. tolerierte Masse! free size tolerances</p> <p style="font-size: 1.5em; font-weight: bold;">Han 10ES-AV-f</p> <p>Anschlussverteiler rechts/ terminal block connector right</p> <p style="font-size: 1.5em; font-weight: bold;">TB 09 33 010 4739</p> <p>Sub.</p> | <p>Blatt 1 / page</p> | | |
| 411631 | 01.06.05 | Loe. | | | | | | | | | | | | | | | | | | | |
| 410278 | 05.01.05 | DY | | | | | | | | | | | | | | | | | | | |
| Mod. | Dat. | Name | | | | | | | | | | | | | | | | | | | |
| HARTING Electric GmbH & Co. KG | |  | | | | | | | | | | | | | | | | | | | |
| D-32339 Espelkamp | | | | | | | | | | | | | | | | | | | | | |