

## Excellent Integrated System Limited

Stocking Distributor

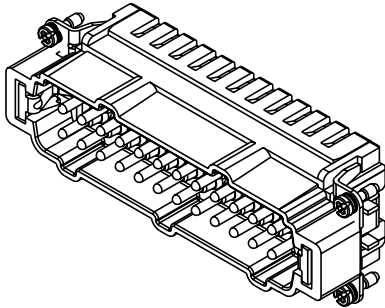
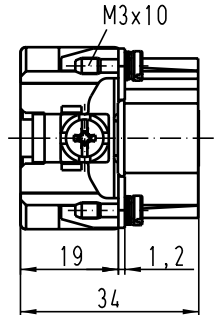
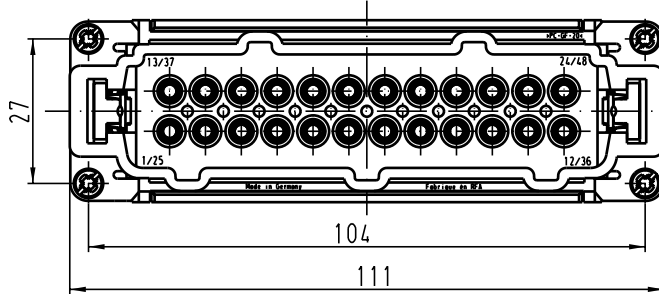
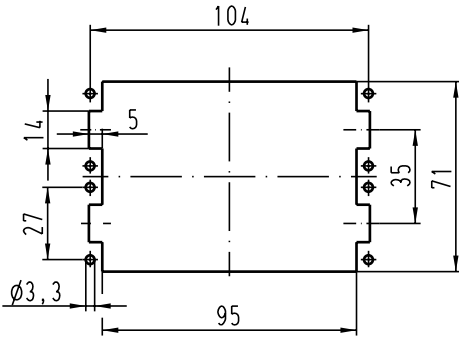
Click to view price, real time Inventory, Delivery & Lifecycle Information:

[Harting](#)  
[09330242626](#)

For any questions, you can email us directly:  
[sales@integrated-circuit.com](mailto:sales@integrated-circuit.com)

Alle Rechte vorbehalten/ All rights reserved

Montageausschnitt /  
panel cut out  
1:2



All Dimensions in mm Original Size DIN A 4			Techn. Character.			Nicht tolerierte Masse/ free size tolerances			
			Dat.	Name	Maststab/Scale <b>1:1</b> 1:2	<b>Han 24ES-M</b> Stifteinsatz/ male insert (25 - 48)			
			Detail.	26.02.02					DY
			Insp.						KR
			Stand.						
410694	19.09.03	Ho	HARTING Electric GmbH & Co. KG				<b>TB 09 33 024 2626</b>		Blatt/ page
30854			D-32339 Espelkamp						
Mod.	Dat.	Name				Sub. TB 09 33 024 2626 v. 24.09.91			