

Excellent Integrated System Limited

Stocking Distributor

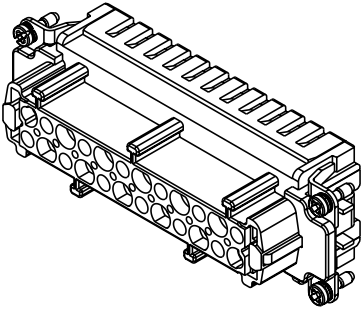
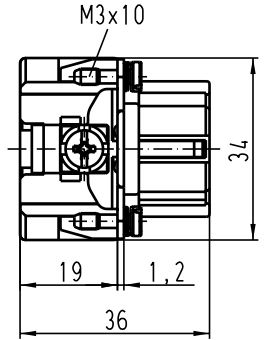
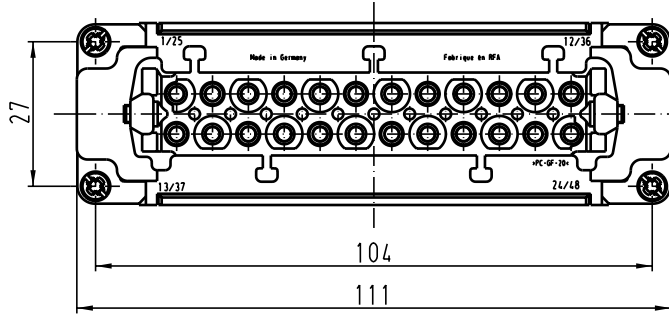
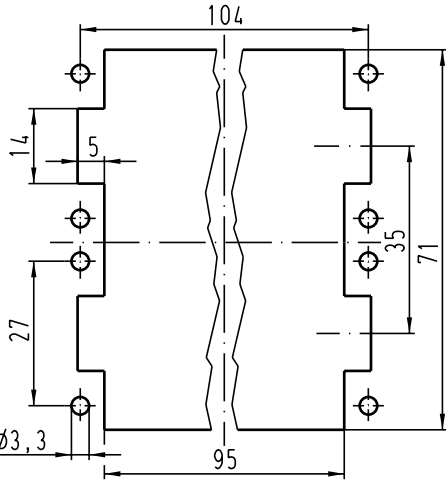
Click to view price, real time Inventory, Delivery & Lifecycle Information:

[Harting](#)
[09330242726](#)

For any questions, you can email us directly:
sales@integrated-circuit.com

Alle Rechte vorbehalten/ All rights reserved

Montageausschnitt /
panel cut out



All Dimensions in mm Original Size DIM A 4			Techn. Character.			Nicht tolerierte Masse/ free size tolerances				
				Dat.	Name	Massestab/Scale	Han 24ES-F Buchseneinsatz/female insert (24 - 48)			
			Detail.	26.02.02	DY					
			Insp.		KR					
			Stand.			1:1	TB 09 33 024 2726 Sub.			
410694	19.09.03	Ho	HARTING Electric GmbH & Co. KG							
30854			D-32339 Espelkamp							
Mod.	Dat.	Name						Bla11/ page		