

Excellent Integrated System Limited

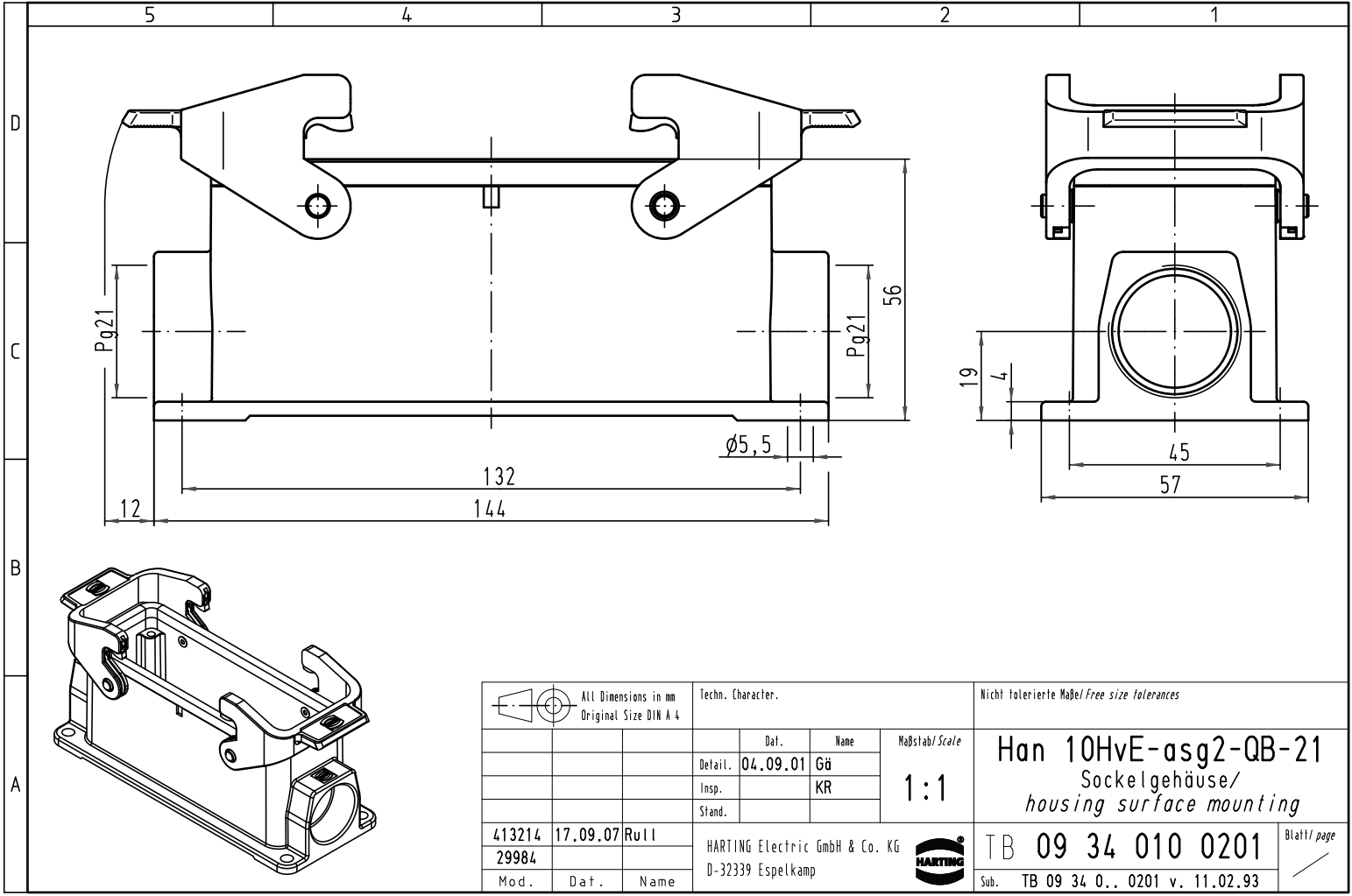
Stocking Distributor

Click to view price, real time Inventory, Delivery & Lifecycle Information:

[Harting](#)
[09340100201](#)

For any questions, you can email us directly:
sales@integrated-circuit.com

Alle Rechte vorbehalten/ All rights reserved



<p>All Dimensions in mm Original Size DIN A 4</p>	Techn. Character.			Nicht tolerierte Maß/Free size tolerances	
		Dat.	Name	Maßstab/Scale 1:1	Han 10HvE-asg2-QB-21 Sockelgehäuse/ housing surface mounting
		Detail.	Gü		
		Insp.	KR		
	Stand.				
413214	17.09.07	Ru 11	HARTING Electric GmbH & Co. KG		TB 09 34 010 0201 Sub. TB 09 34 0.. 0201 v. 11.02.93
29984			D-32339 Espelkamp		
Mod.	Dat.	Name			Blatt/ page