

Excellent Integrated System Limited

Stocking Distributor

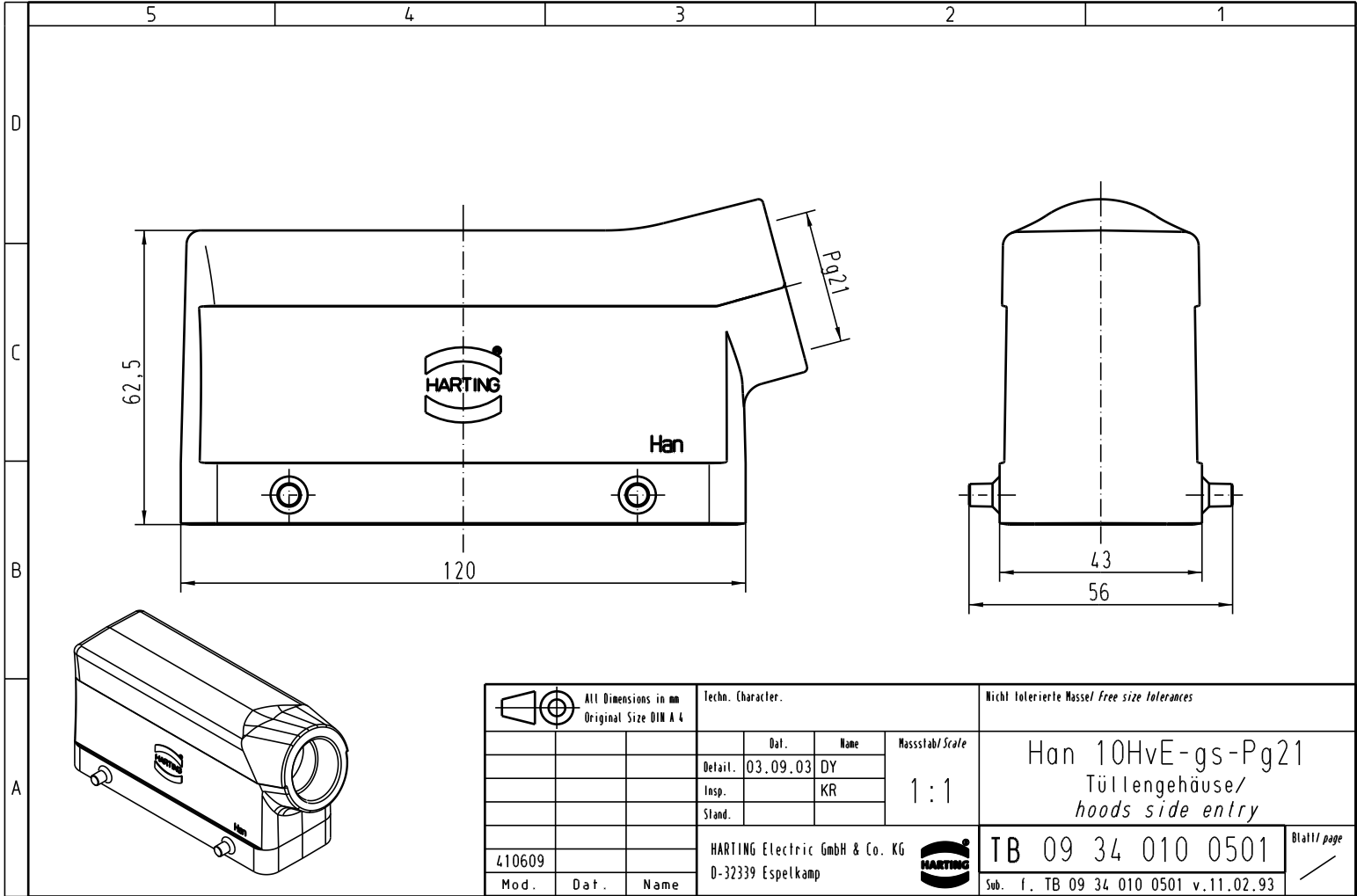
Click to view price, real time Inventory, Delivery & Lifecycle Information:

[Harting](#)

[09340100501](#)

For any questions, you can email us directly:

sales@integrated-circuit.com



| | | | | | | | | | |
|---|------|------|--------------------------------|---------|----------|---|---|-------------|----|
| All Dimensions in mm Original Size DIN A 4 | | | Techn. Character. | | | Nicht tolerierte Masse free size tolerances | | | |
| | | | | Dat. | Name | Maststab/Scale 1:1 | Han 10HvE-gs-Pg21 Tüllengehäuse/ hoods side entry | | |
| | | | | Detail. | 03.09.03 | | | | DY |
| | | | | Insp. | | | | | KR |
| | | | | Stand. | | | | | |
| 410609 | | | HARTING Electric GmbH & Co. KG | | | | TB 09 34 010 0501 | | |
| Mod. | Dat. | Name | D-32339 Espelkamp | | | | Sub. f. TB 09 34 010 0501 v.11.02.93 | | |
| | | | | | | | | Bla11/ page | |