

Excellent Integrated System Limited

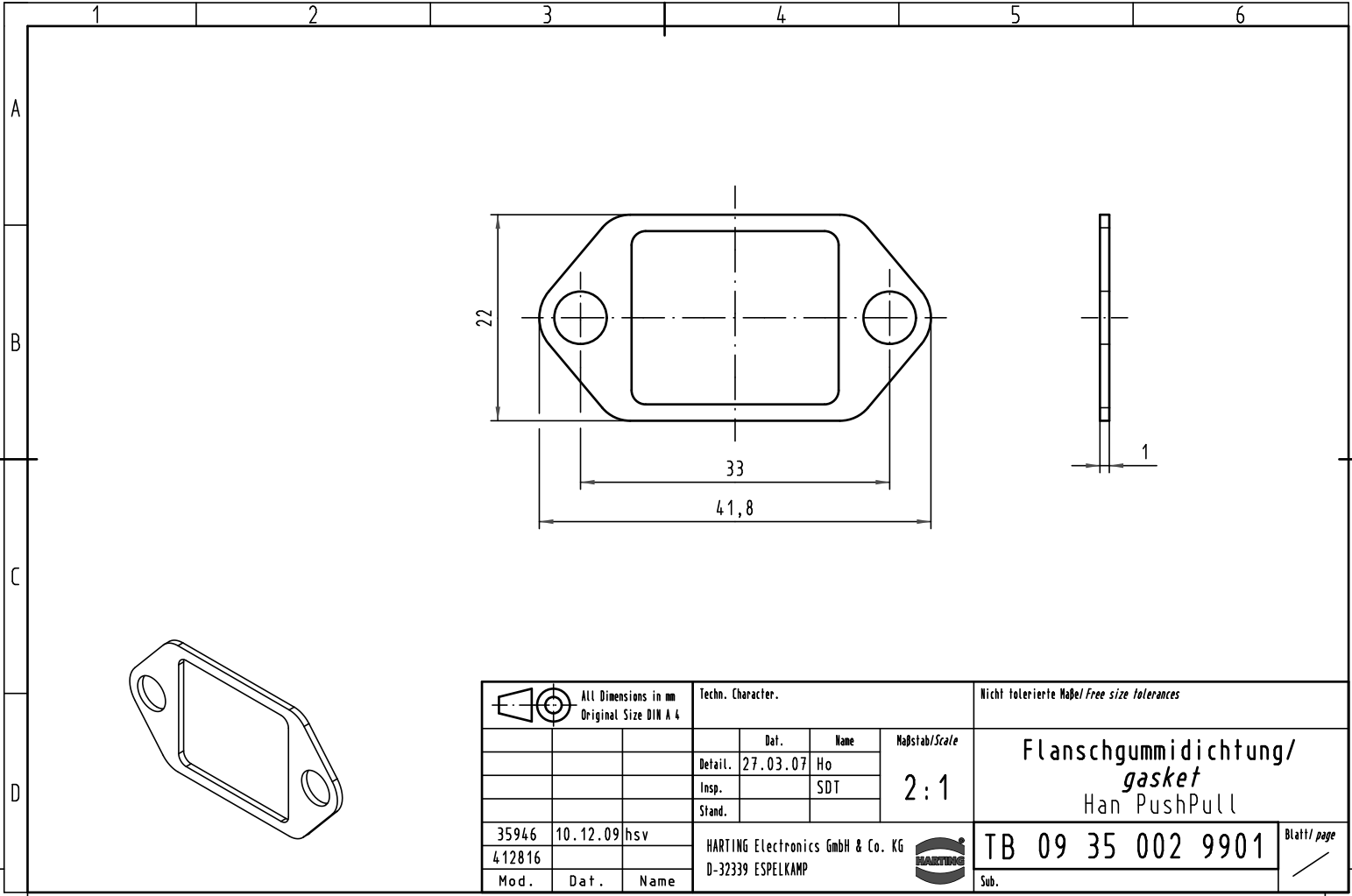
Stocking Distributor

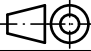

Click to view price, real time Inventory, Delivery & Lifecycle Information:

[Harting](#)
[09350029901](#)

For any questions, you can email us directly:
sales@integrated-circuit.com

Alle Rechte vorbehalten/ All rights reserved



 All Dimensions in mm Original Size DIN A 4			Techn. Character.			Nicht tolerierte Maß/Free size tolerances			
			Dat.	Name	Maßstab/Scale 2:1	Flanschgummidichtung/ gasket Han PushPull			
			Detail.	27.03.07					Ho
			Insp.						SDT
			Stand.						
35946	10.12.09	hsv	HARTING Electronics GmbH & Co. KG				TB 09 35 002 9901		Blatt/ page
412816			D-32339 ESPELKAMP				Sub.		/
Mod.	Dat.	Name							