

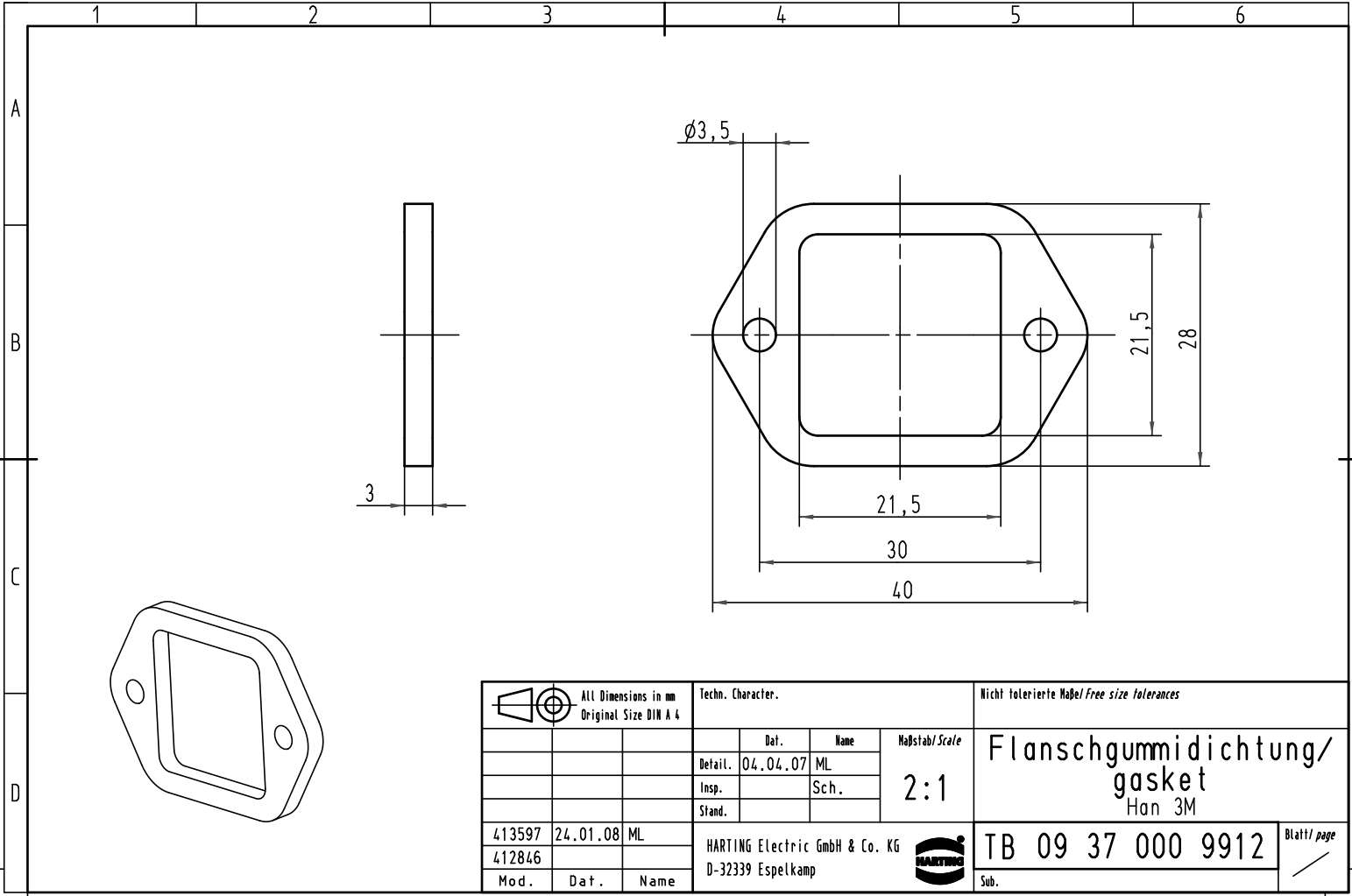
Excellent Integrated System Limited

Stocking Distributor

Click to view price, real time Inventory, Delivery & Lifecycle Information:

[Harting](#)
[09370009912](#)

For any questions, you can email us directly:
sales@integrated-circuit.com



All Dimensions in mm Original Size DIN A 4			Techn. Character.			Nicht tolerierte Maß/Free size tolerances			
						Maßstab/Scale 2:1	Flanschgummidichtung/ gasket Han 3M		
			Detail.	04.04.07	ML				
			Insp.		Sch.				
			Stand.						
413597	24.01.08	ML	HARTING Electric GmbH & Co. KG				TB 09 37 000 9912		Blatt/ page
412846			D-32339 Espelkamp						
Mod.	Dat.	Name					Sub.		