

Excellent Integrated System Limited

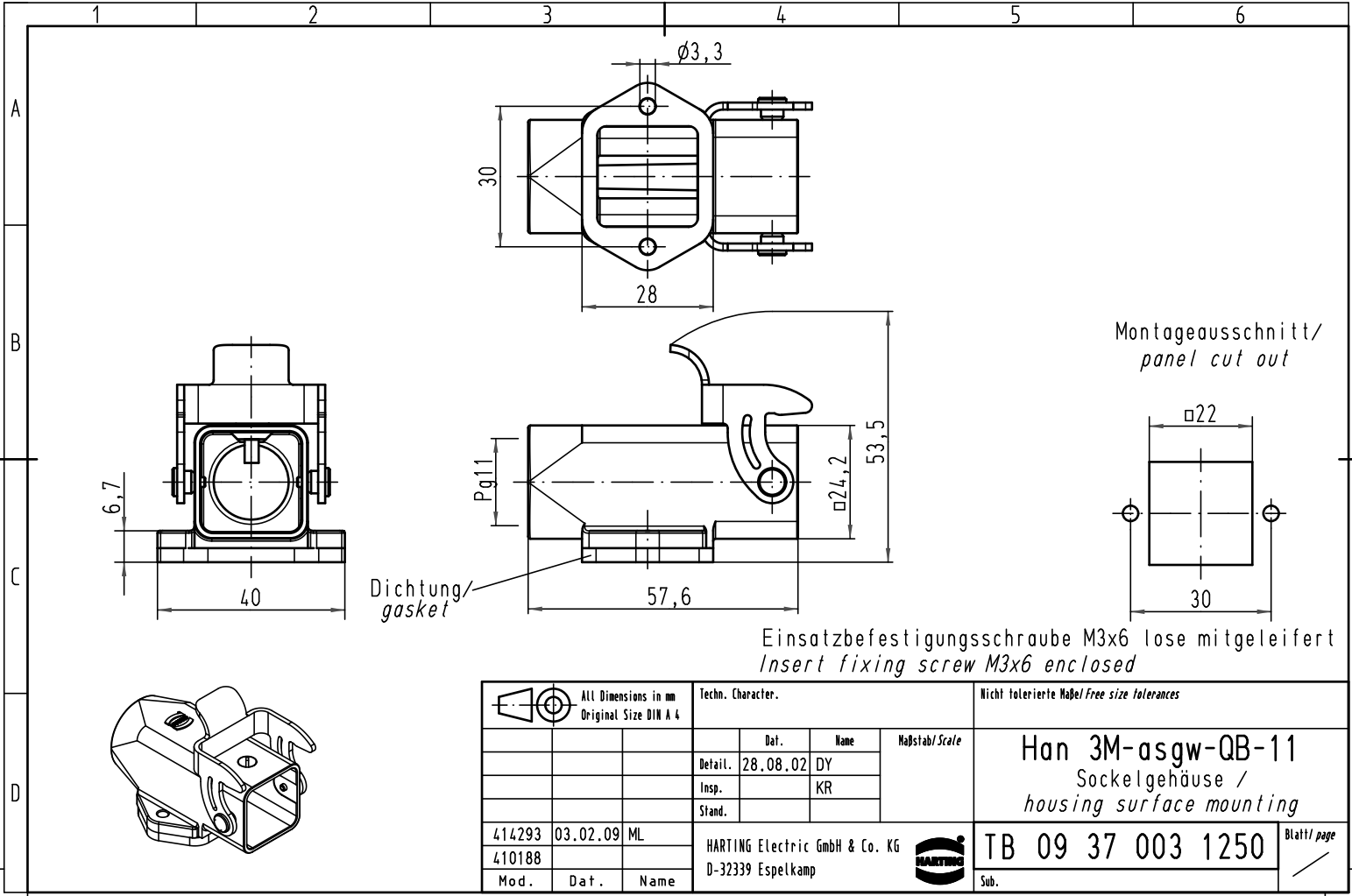
Stocking Distributor

Click to view price, real time Inventory, Delivery & Lifecycle Information:

[Harting](#)
[09370031250](#)

For any questions, you can email us directly:
sales@integrated-circuit.com

Alle Rechte vorbehalten/ All rights reserved



All Dimensions in mm Original Size DIN A 4			Techn. Character.			Nicht tolerierte Maß/Free size tolerances	
Mod.	Dat.	Name	Detail.	Dat.	Name	Maßstab/Scale	
414293	03.02.09	ML		28.08.02	DY	Han 3M-asgw-QB-11 Sockelgehäuse / housing surface mounting	
410188			Insp.		KR		
			Stand.				
			HARTING Electric GmbH & Co. KG D-32339 Espelkamp			TB 09 37 003 1250 Sub.	
						Blatt/ page	