

Excellent Integrated System Limited

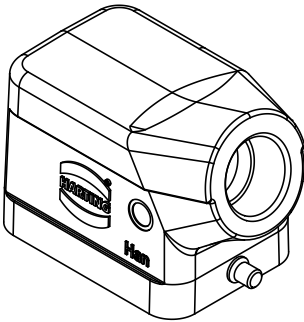
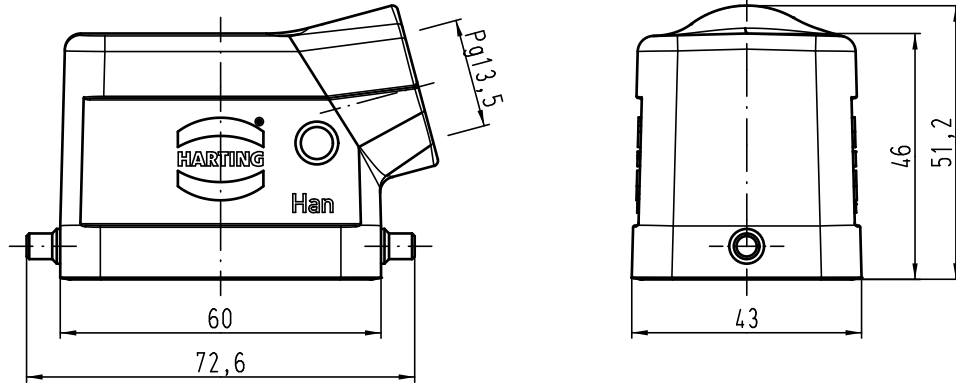
Stocking Distributor



Click to view price, real time Inventory, Delivery & Lifecycle Information:

[Harting](#)
[09370061540](#)

For any questions, you can email us directly:
sales@integrated-circuit.com

Alle Rechte vorbehalten/ All rights reserved



 All Dimensions in mm Original Size DIN A 4			Techn. Character.			Nicht tolerierte Maß/Free size tolerances			
						Han 6M-gs-13,5 Gehäuse / hood			
			Detail.	06.08.09	Spr				Maßstab/Scale 1:1
			Insp.		Be				
			Stand.						
B	07.05.12	Ho	HARTING Electric GmbH & Co. KG			TB 09 37 006 1540			
A			D-32339 Espelkamp			Sub. TB 09 37 006 1540 v. 17.02.93			
Mod.	Dat.	Name				Blatt/ page			