

## Excellent Integrated System Limited

Stocking Distributor

Click to view price, real time Inventory, Delivery & Lifecycle Information:

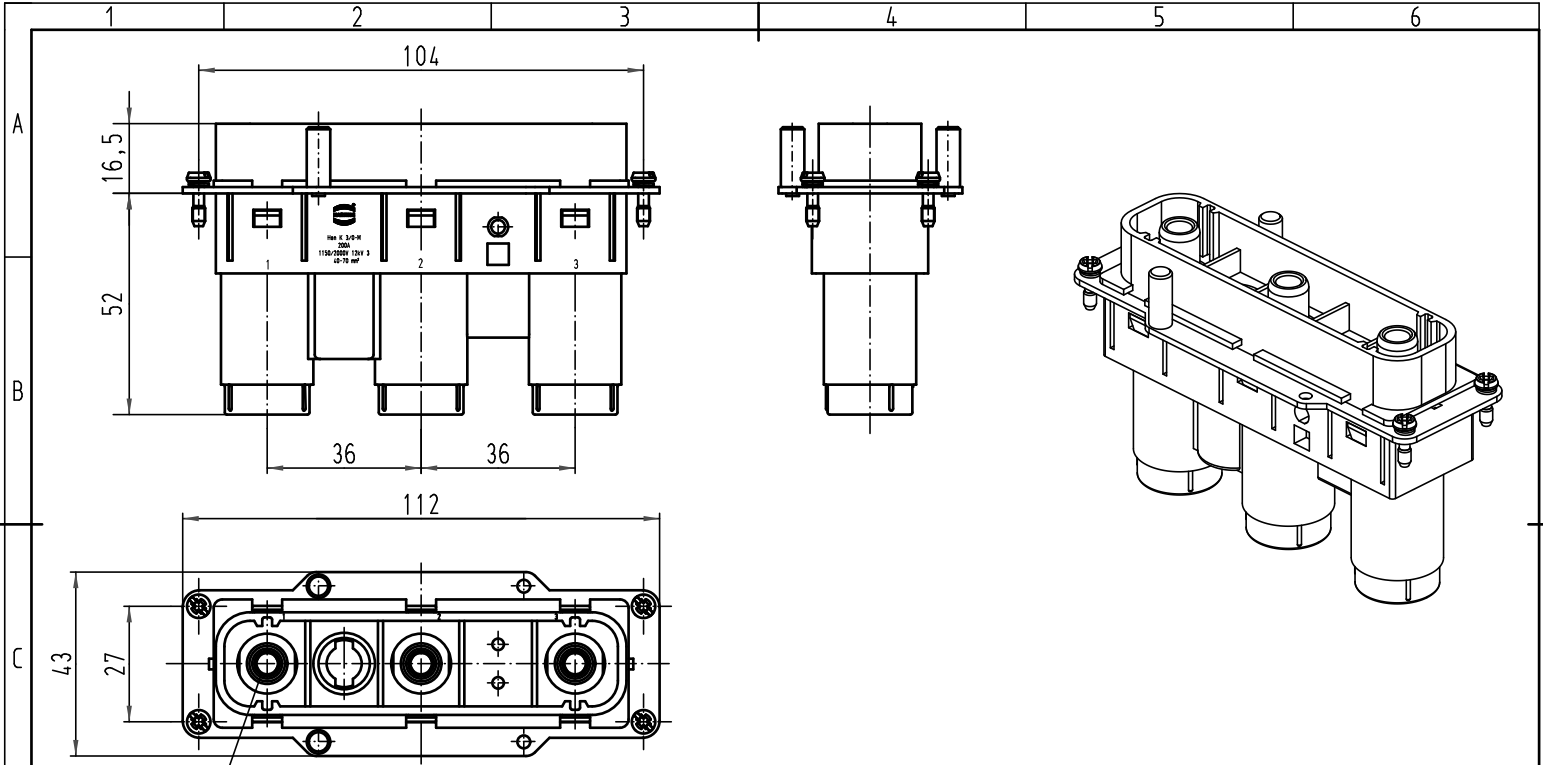
[Harting](#)

[09380052621](#)

For any questions, you can email us directly:

[sales@integrated-circuit.com](mailto:sales@integrated-circuit.com)

Alle Rechte vorbehalten/ All rights reserved



SW5

All Dimensions in mm Original Size DIN A 4			Techn. Character.			Nicht tolerierte Masse/ Free size tolerances						
			Detail.	Insp.	Stand.	Dat.	Name	Masstab/Scale	<b>Han K 3/0-M-s</b> Stifttraeger, schraub/ male, insert, screw	Blatt/ page		
412401	30.08.06	Bor				17.02.97	Sper.				<b>TB 09 38 005 2621</b>	Sub.
410331	03.02.03	DY				Sdt.						
27327	10.03.00	ROH										
25451	12.01.99	KR										
Leiterquerschnitt/ <i>wire gauge</i>			Kabel/ <i>cable</i>			HARTING Electric GmbH & Co. KG D-32339 Espelkamp						
40-70 mm <sup>2</sup>	AWG 1-2/0	Sienopyr	Mod.	Dat.	Name							