

Excellent Integrated System Limited

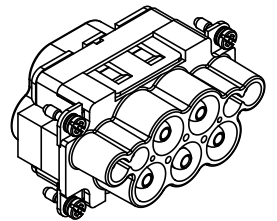
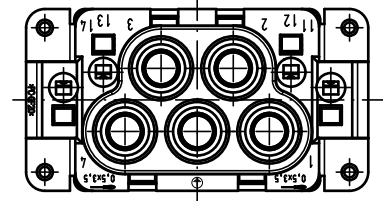
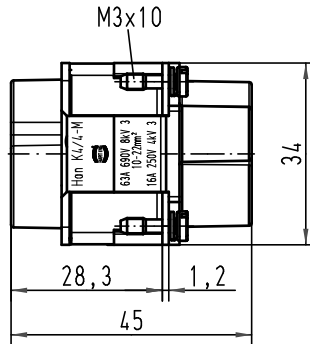
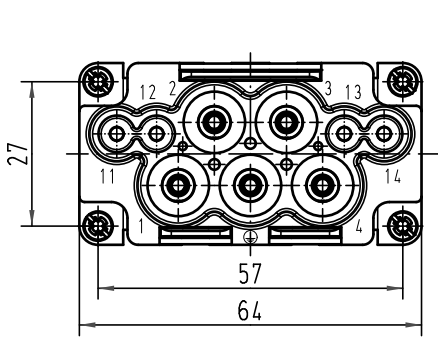
Stocking Distributor



Click to view price, real time Inventory, Delivery & Lifecycle Information:

[Harting](#)
[09380082602](#)

For any questions, you can email us directly:
sales@integrated-circuit.com

Alle Rechte vorbehalten/ All rights reserved



| | | | | | | | | |
|----------------------------------------------------------------------------------------------------------------------------------|------|------|-----------------------------------------------------|----------|------|---------------------------------------------------------------------------------------|--------------------------------------------------------------------------|---------------------------------------------------|
|  All Dimensions in mm Original Size DIN A 4 | | | Techn. Character. | | | Nicht tolerierte Maß/Free size tolerances | | |
| | | | | | | | | |
| | | | Detail. | 18.11.08 | Rull | 1:1 | Han K4/4-M 63A, 10-22mm ² berührsicher/protected | |
| | | | Insp. | | Loe. | | | |
| | | | Stand. | | | | | |
| A | | | HARTING Electric GmbH & Co. KG D-32339 Espelkamp | | |  | TB 09 38 008 2602 | Blatt/ page Sub. TB 09 38 008 2602 v. 30.01.07 |
| Mod. | Dat. | Name | | | | | | |