



Distributor of BUD Industries, Inc.: Excellent Integrated System Limited

Datasheet of SC-13100 - CABINET ALUMINUM 8.69"L X 9.93"W

Contact us: sales@integrated-circuit.com Website: www.integrated-circuit.com

Excellent Integrated System Limited

Stocking Distributor

Click to view price, real time Inventory, Delivery & Lifecycle Information:

[BUD Industries, Inc.](#)
[SC-13100](#)

For any questions, you can email us directly:

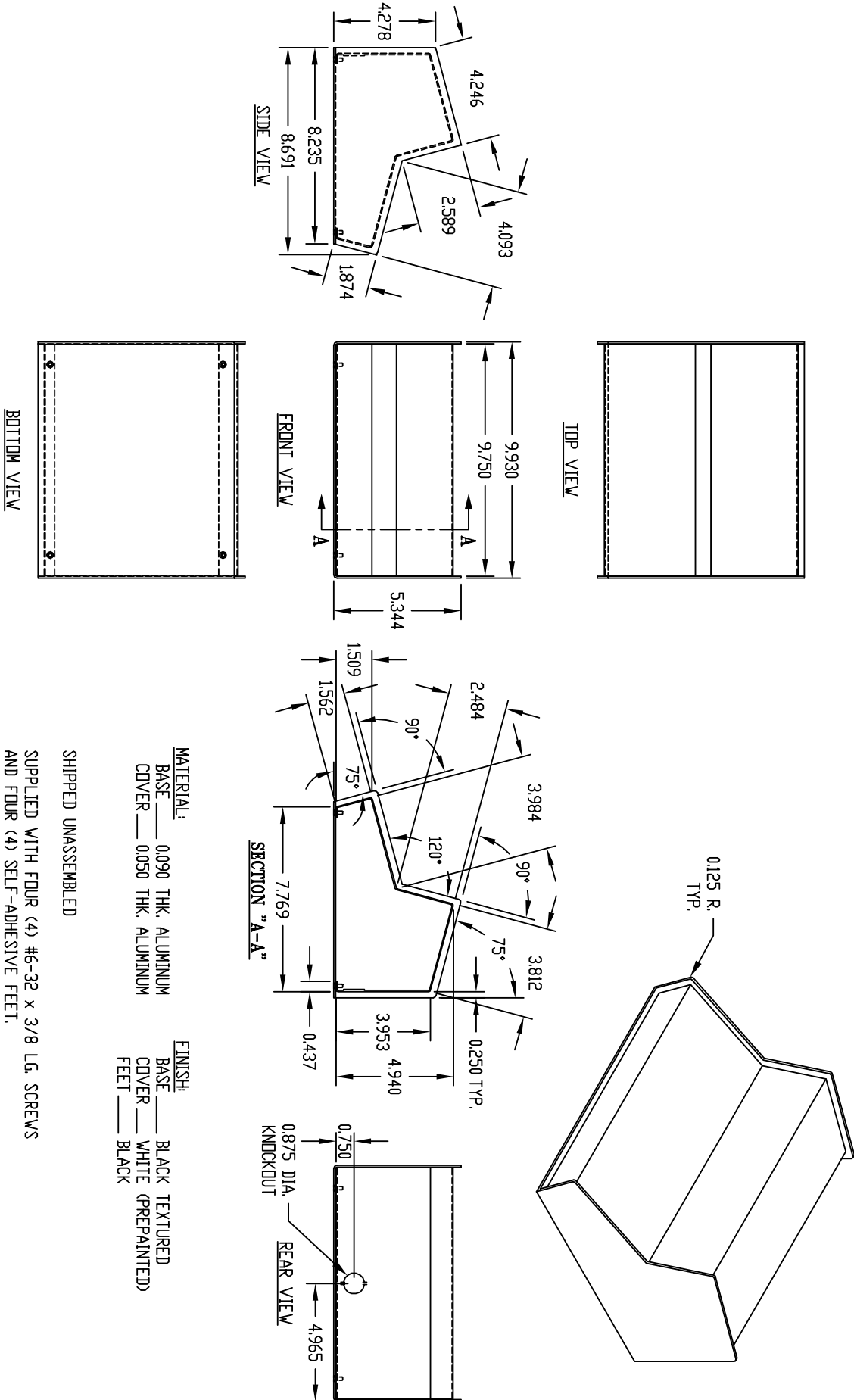
sales@integrated-circuit.com

PART NAME

COMPUCAB

PART No.

SC-13100



MATERIAL:
 BASE 0.090 THK. ALUMINUM
 COVER 0.050 THK. ALUMINUM

FINISH:
 BASE BLACK TEXTURED
 COVER WHITE (PREPAINTED)
 FEET BLACK

SHIPPED UNASSEMBLED
 SUPPLIED WITH FOUR (4) #6-32 x 3/8 LG. SCREWS
 AND FOUR (4) SELF-ADHESIVE FEET.