

## Excellent Integrated System Limited

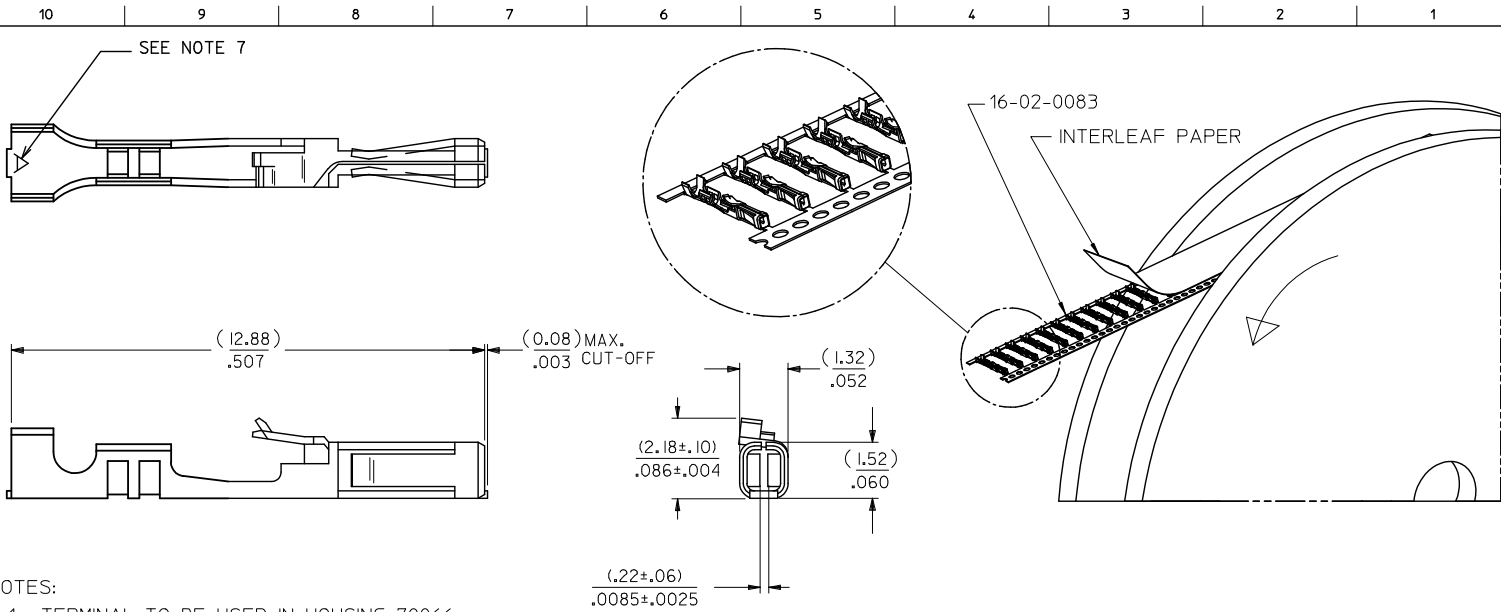
Stocking Distributor

Click to view price, real time Inventory, Delivery & Lifecycle Information:

[Molex Connector Corporation](#)  
[0016020083](#)

For any questions, you can email us directly:

[sales@integrated-circuit.com](mailto:sales@integrated-circuit.com)



NOTES:

1. TERMINAL TO BE USED IN HOUSING 70066-\*\*\*\* AND 70450-\*\*\*\*.
2. REFER TO PRODUCT SPECIFICATION PS-70058.
3. REFER TO MOLEX OPERATIONS AND SERVICE MANUAL FOR CRIMP DETAILS.
4. TERMINAL TO BE USED WITH (0.64)/.025 SQUARE PINS.
5. TERMINAL TO BE USED WITH 24-30 AWG STRANDED WIRE WITH (1.52)/.060 MAXIMUM DIAMETER INSULATION.
6. TERMINALS SUPPLIED IN REEL FORM.
7. CRIMP SIZE INDICATOR A=24-30 AWG

PLATING:

.000030 MINIMUM GOLD PLATE IN SELECT AREA,  
.000075 MINIMUM TIN PLATE IN SELECT AREA,  
OVER NICKEL PLATE OVERALL.

REEL UNWIND DIR EC NO: UCP2013-5345 DRAWN BY: RWHPPL CHKD BY: JAS APPR: SMILLER	DESCRIPTION 2013/06/11 2013/06/11 2013/07/09	QUALITY SYMBOLS ▽=0 ▽=0 ▽=0	GENERAL TOLERANCES (UNLESS SPECIFIED)		DIMENSION STYLE MM/IN		SCALE 10:1	DESIGN UNITS INCH	THIRD ANGLE PROJECTION
			mm	INCH	DRAWN BY RWHPPL	DATE 2013/06/11	TITLE TERMONAL - BOX/CRIMP FOR 24-30 AWG ON A REEL		
			4 PLACES ± --- ± ---		CHECKED BY JAS	DATE 1988/03/02			
			3 PLACES ± --- ± .005		APPROVED BY SMILLER	DATE 2013/07/09			
			2 PLACES ± 0.13 ± .01		MATERIAL NO. 16-02-0083		DOCUMENT NO. SD-70058-0008	SHEET NO. 1 OF 1	
			1 PLACE ± 0.25 ± ---		THIS DRAWING CONTAINS INFORMATION THAT IS PROPRIETARY TO MOLEX INCORPORATED AND SHOULD NOT BE USED WITHOUT WRITTEN PERMISSION				
			0 PLACE ± --- ± ---						