

## **Excellent Integrated System Limited**

Stocking Distributor

Click to view price, real time Inventory, Delivery & Lifecycle Information:

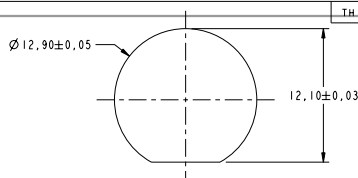
[Amphenol RF](#)  
[901-10384](#)

For any questions, you can email us directly:

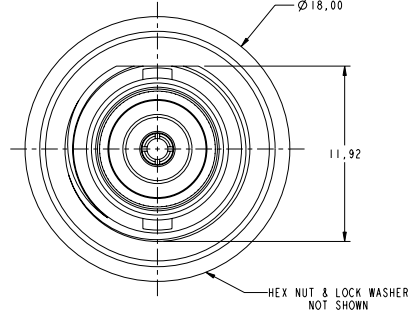
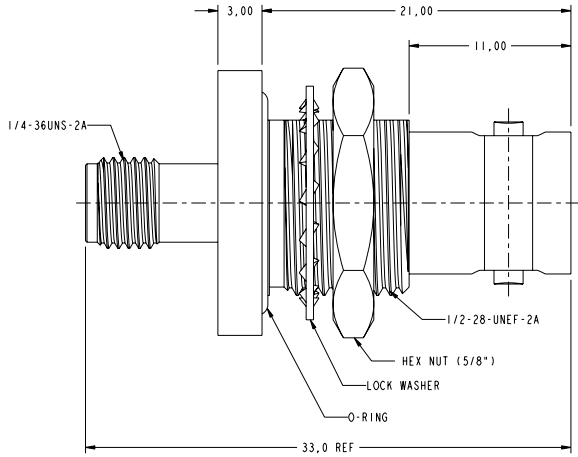
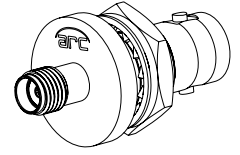
[sales@integrated-circuit.com](mailto:sales@integrated-circuit.com)

NOTES:

- MATERIALS AND FINISHES:  
 BODY - BRASS, NICKEL PLATING  
 LOCKWASHER - PHOSPHOR BRONZE, NICKEL PLATING  
 HEX NUT - BRASS, NICKEL PLATING  
 CONTACT - BERYLLIUM COPPER, GOLD PLATING  
 INSULATOR - PTFE  
 O-RING - SILICONE RUBBER
- ELECTRICAL:  
 A. IMPEDANCE: 50 OHM  
 B. FREQUENCY RANGE: DC - 4 GHz  
 C. VSWR: 1.3 FROM DC TO 4 GHz
- ENVIRONMENTAL:  
 A. IP-67 SEALED IN UNMATED CONDITION
- PACKAGING:  
 A. QUANTITY: SINGLE PACK  
 B. MARKING: BAG TO BE MARKED  
 "AMPHENOL RF, 901-10384, AND DATE CODE"



RECOMMENDED PANEL CUT OUT DIMENSIONS



**CUSTOMER OUTLINE DRAWING**  
 ALL OTHER SHEETS ARE FOR INTERNAL USE ONLY

UNLESS OTHERWISE SPECIFIED, DIMENSIONS ARE IN METRIC AND TOLERANCES ARE:  
 <0.5mm ±0.05mm, 0.5 - 6mm ±0.1mm, 6 - 30mm ±0.2mm, 30 - 120mm ±0.3mm, ANGLES ±1°  
 NOTICE - These drawings, specifications, or other data (1) are, and remain the property of Amphenol Corp. (2) must be returned upon request, and (3) are confidential and not to be disclosed to any person other than those to whom they are given by Amphenol Corp. The furnishing of these drawings, specifications, or other data by Amphenol Corp., or to any other person to anyone for any purpose is not to be regarded by implication or otherwise in any manner licensing, granting rights to permitting such holder or any other person to manufacture, use or sell any product, process or design, patented or otherwise, that may in any way be related to or disclosed by said drawings, specifications, or other data.

MATERIAL	DRAWN J. CHEN	DATE 30-Aug-13
REFERENCE EAR 3558 AND CONFIGURATION LEVEL: □□	ENGINEER D. DAVE	DATE 17-JAN-12
FINISH	APPROVED S. HSIEH	DATE 05-Sep-13
	CAD FILE	

TITLE SMA JACK TO BNC BHD JACK IP-67 ADAPTOR	SCALE: 4.0:1.0	SHEET 2 OF 2
DWG SIZE B	REV B	

Amphenol RF www.amphenolrf.com	
DRAWING NO. 901-10384	ITEM NO. 901-10384
PART NO. 901-10384	