

## **Excellent Integrated System Limited**

Stocking Distributor

Click to view price, real time Inventory, Delivery & Lifecycle Information:

[Amphenol RF](#)  
[901-10386](#)

For any questions, you can email us directly:

[sales@integrated-circuit.com](mailto:sales@integrated-circuit.com)

NOTES:

1. MATERIALS OF CONSTRUCTION:  
 BODY: BRASS, GOLD PLATED  
 CAP: BRASS, NICKEL PLATED  
 MALE CONTACT: BRASS, GOLD PLATED  
 INSULATORS: PTFE, NATURAL  
 GASKET: SILICONE RUBBER

2. ELECTRICAL:  
 A. IMPEDANCE: 50 OHM  
 B. FREQUENCY RANGE: DC - 3 GHz

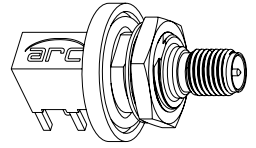
3. MECHANICAL:  
 A. TEMPERATURE RANGE: -65° C TO +165° C  
 B. SEALING REQUIREMENTS: WHEN MOUNTED ON PANEL MUST WITHSTAND WATER PRESSURE AT DEPTH OF 1 METER FOR 30 MIN. WITHOUT ANY SIGN OF LEAKAGE.  
 C. DESIGN NOT SUITABLE FOR REFLOW.

4. PACKAGING:  
 A. QUANTITY: SINGLE PACK  
 B. MARKING: BAG TO BE MARKED "AMPHENOL, 901-10386, AND DATE CODE"

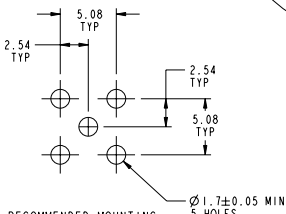
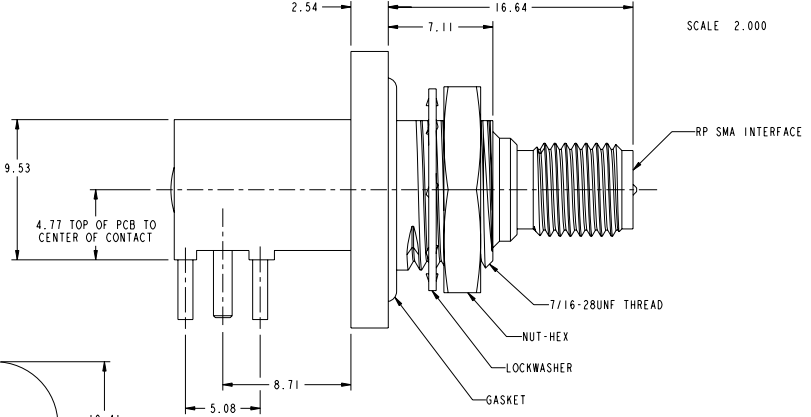
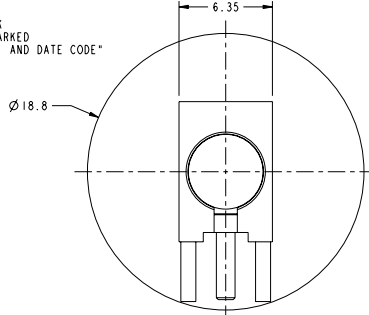
THIRD ANGLE PROJ.

REVISIONS

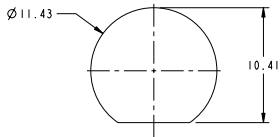
REV	DESCRIPTION	DATE	ECO	APPR
A	RELEASE TO MFG.	15-Aug-12	49217	JTS
B	ADD ARC LOGO TO BODY	16-Aug-13	49619	RLB



SCALE 2.000



RECOMMENDED MOUNTING HOLE DIMENSIONS  
 SCALE 3.000



RECOMMENDED MOUNTING PANEL DIMENSIONS  
 SCALE 3.000

**CUSTOMER OUTLINE DRAWING**  
 ALL OTHER SHEETS ARE FOR INTERNAL USE ONLY

UNLESS OTHERWISE SPECIFIED, DIMENSIONS ARE IN METRIC AND TOLERANCES ARE:  
 <0.5mm ±0.05mm 0.5 - 6mm ±0.1mm 6 - 30mm ±0.2mm 30 - 120mm ±0.3mm ANGLES ±1°  
 NOTICE - These drawings, specifications, or other data (1) are, and remain the property of Amphenol Corp. (2) must be returned upon request; and (3) are confidential and not to be disclosed to any person other than those to whom they are given by Amphenol Corp. The furnishing of these drawings, specifications, or other data by Amphenol Corp., or to any other person to anyone for any purpose is not to be regarded by implication or otherwise in any manner licensing, granting rights to permitting such holder or any other person to manufacture, use or sell any product, process or design, patented or otherwise, that may in any way be related to or disclosed by said drawings, specifications, or other data.

MATERIAL	-
REFERENCE	EAR# 3608 AND CONFIGURATION LEVEL: In Work
FINISH	

DRAWN	J. CHEN	DATE	02-July-14
ENGINEER	T. SMITH	DATE	14-Jun-12
APPROVED	S. HSIEH	DATE	02-July-14
CAD FILE			

TITLE	RP SMA JACK R/A BULKHEAD PC MOUNT
SCALE:	6.0:1.0
SHEET	2 OF 2
DWG SIZE	B
REV	B

Amphenol RF	
Danbury CT USA, Tainan, Taiwan, Shenzhen, China www.amphenolrf.com	
DRAWING NO.	901-10386
ITEM NO.	901-10386
PART NO.	901-10386