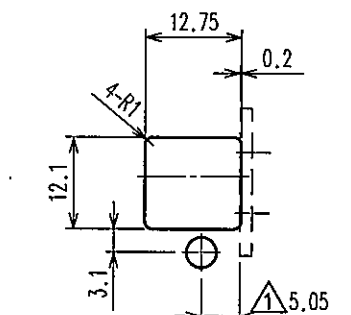
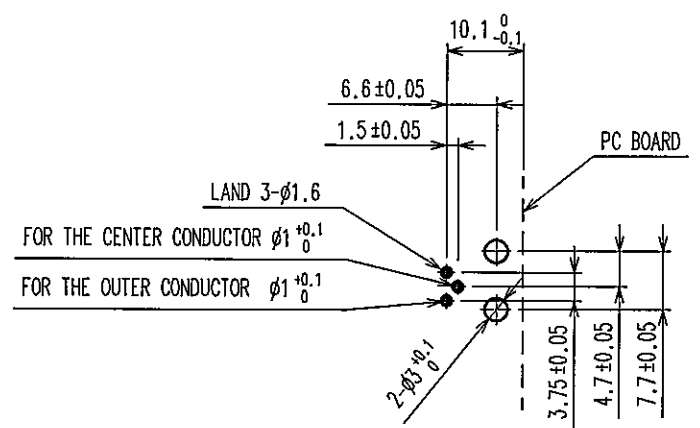
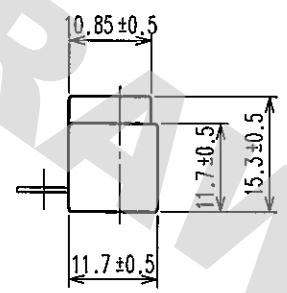


DRAWING FOR REFERENCE: This is subject to change without notice  
05/21/2015

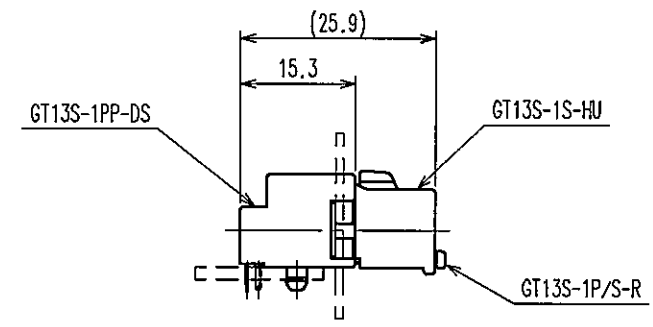
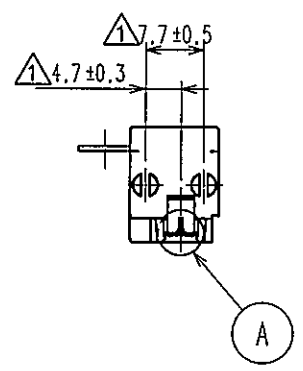
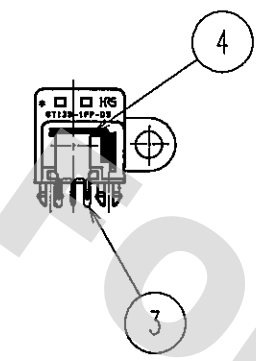
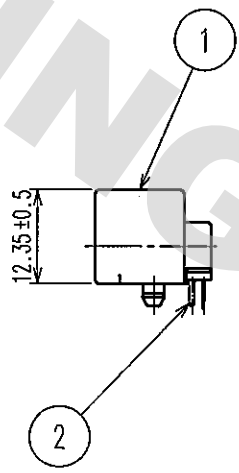
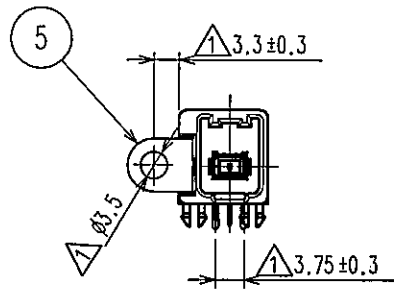
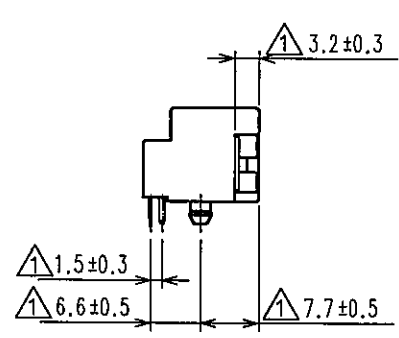
|    |
|----|
| TO |
|    |
|    |
|    |

| COUNT | DESCRIPTION OF REVISIONS | BY  | CHKD | DATE    | COUNT | DESCRIPTION OF REVISIONS | BY | CHKD | DATE |
|-------|--------------------------|-----|------|---------|-------|--------------------------|----|------|------|
| 10    | DIS-T-000540             | M.O | K.S  | 07.9.21 |       |                          |    |      |      |
|       |                          |     |      |         |       |                          |    |      |      |
|       |                          |     |      |         |       |                          |    |      |      |

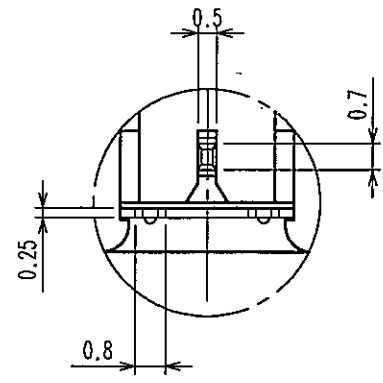


RECOMMENDED PC BOARD HOLE PATTERN

RECOMMENDED PANEL CUTOUT



MATED CONNECTOR



A (5:1)

| 3                          | BRASS    | TIN PLATED        | 5                            | BRASS    | TIN PLATED      |
|----------------------------|----------|-------------------|------------------------------|----------|-----------------|
| 2                          | BRASS    | TIN PLATED        | 4                            | BRASS    | TIN PLATED      |
| 1                          | PBT      | UL94HB LIGHT GRAY |                              |          |                 |
| NO.                        | MATERIAL | FINISH, REMARKS   | NO.                          | MATERIAL | FINISH, REMARKS |
| CODE NO. (OLD)<br>CL?      |          |                   | DRAWN                        | DESIGNED | CHECKED         |
|                            |          |                   | S.KURIYA                     | M.OKADA  | K.SATO          |
|                            |          |                   | APPROVED                     | RELEASED |                 |
|                            |          |                   | 05.4.15                      | 00.11.30 | 05.4.26         |
| DRAWING NO.<br>EDC3-165789 |          |                   | PART NO.<br>GT13S-1PP-DS     |          |                 |
| SCALE<br>1:1               |          |                   | CODE NO.<br>CL763-0027-7     |          |                 |
| UNITS<br>mm                |          |                   | HRS HIROSE ELECTRIC CO., LTD |          |                 |