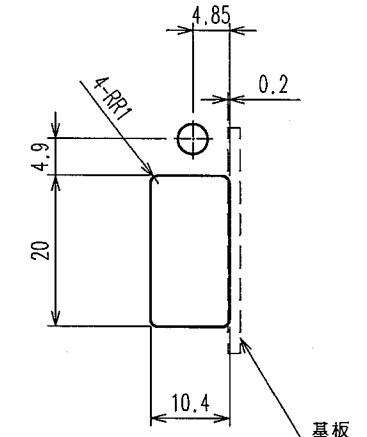
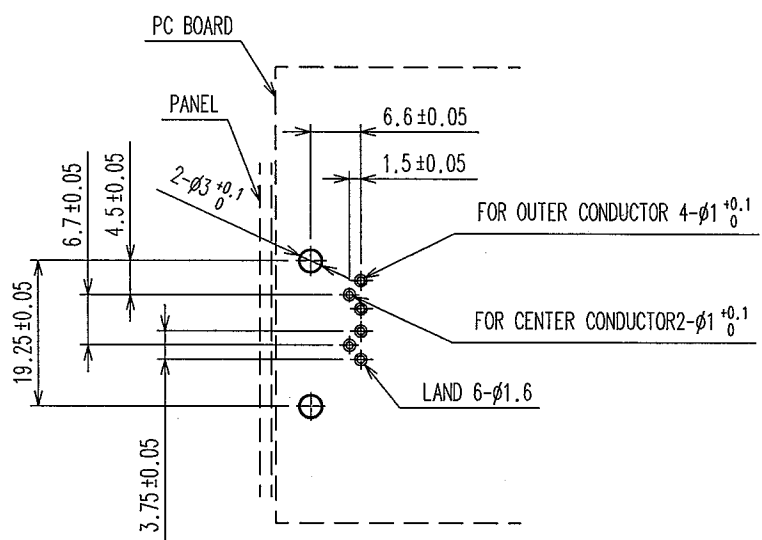
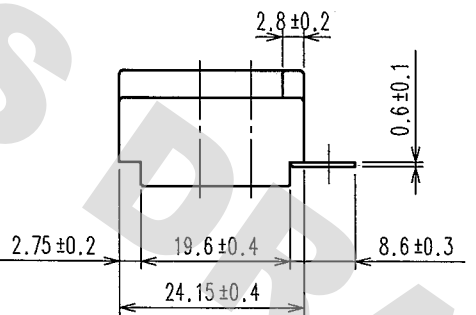


DRAWING FOR REFERENCE: This is subject to change without notice  
05/21/2015

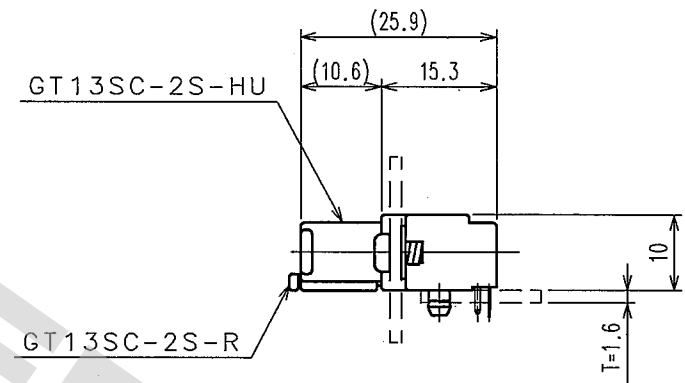
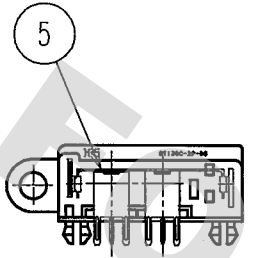
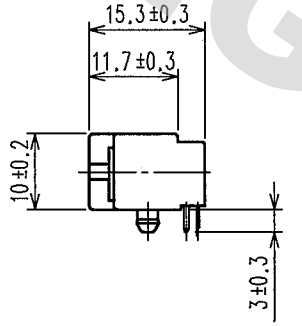
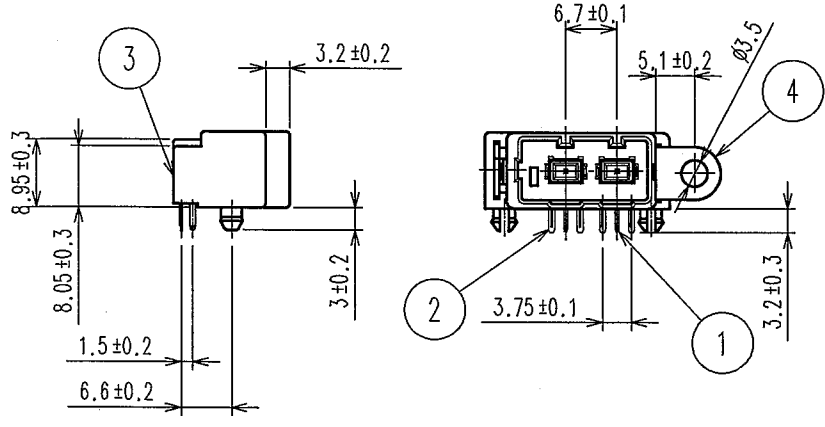
TO

COUNT	DESCRIPTION OF REVISIONS	BY	CHKD	DATE	COUNT	DESCRIPTION OF REVISIONS	BY	CHKD	DATE

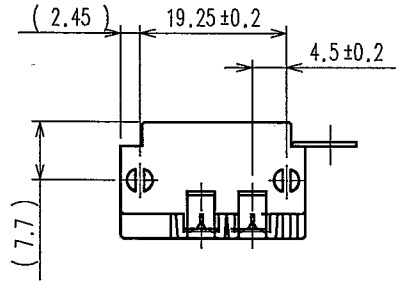


RECOMMENDED PCB LAYOUT

RECOMMENDED PANEL LAYOUT



MATED PAIR FOR USE



NO.	MATERIAL	FINISH, REMARKS	NO.	MATERIAL	FINISH, REMARKS
2	CU ALLOY	TIN PLATED	5	CU ALLOY	TIN PLATED
1	CU ALLOY	TIN PLATED	4	CU ALLOY	TIN PLATED
			3	PBT	UL94HB LIGHT GRAY

CODE NO. (OLD) CL	DRAWN S.KURIYA 05.5.26	DESIGNED M.OKADA 01.5.14	CHECKED K. Sato 05.5.26	APPROVED K. Sato 05.5.26	RELEASED 
----------------------	------------------------------	--------------------------------	-------------------------------	--------------------------------	--------------

DRAWING NO. EDC3-165733	PART NO. GT13SC-2PP-DS
SCALE 1 : 1	CODE NO. CL763-0013-2
UNITS mm	1/1