

Excellent Integrated System Limited

Stocking Distributor

Click to view price, real time Inventory, Delivery & Lifecycle Information:

[Cinch Connectivity Solutions](#)

[SI-60217-F](#)

For any questions, you can email us directly:

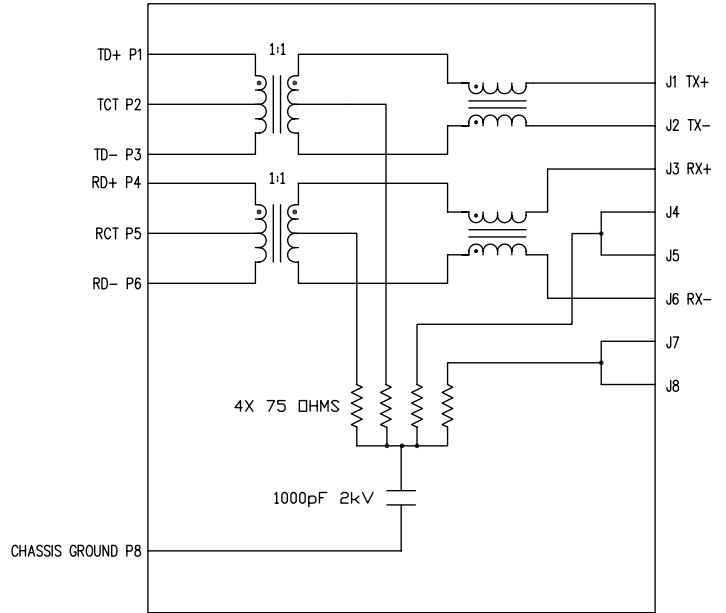
sales@integrated-circuit.com



PRELIMINARY

ELECTRICAL CHARACTERISTICS @ 25°C

1.0 TURNS RATIO: (P6-P5-P4) : (J6-J3) (P3-P2-P1) : (J2-J1)	1CT : 1CT ±3% 1CT : 1CT ±3%
2.0 INDUCTANCE: P6-P4 P3-P1	350µH MIN. @ 0.1V, 100KHz, 8mA DC BIAS 350µH MIN. @ 0.1V, 100KHz, 8mA DC BIAS
3.0 LEAKAGE INDUCTANCE: P6-P4 (WITH J6 & J3 SHORT) P3-P1 (WITH J2 & J1 SHORT)	0.3µH MAX @ 1MHz 0.3µH MAX @ 1MHz
4.0 INERWINDING CAPACITANCE: (P6,P5,P4) TO (J6,J3) (P3,P2,P1) TO (J2,J1)	30pf MAX @ 1MHz 30pf MAX @ 1MHz
5.0 DC RESISTANCE: (J6-J3)=(J2-J1)	1.2 OHMS MAX.
6.0 RETURN LOSS: 100 OHM REF. 1MHz TO 30MHz 60MHz TO 80MHz	18dB MIN. 12dB MIN.
7.0 VOLTAGE WITHSTAND: (J1, J2) TO (P1, P3) (J3, J6) TO (P4, P6)	1500 VAC 1500 VAC
8.0 INSERTION LOSS: RS=RL=100 OHMS 100KHz TO 100MHz	1.1dB TYP.
9.0 RISE TIME: RS=100 OHMS AND RL=100 OHMS OUTPUT VOLTAGE=1V PEAK PULSE WIDTH = 112ns	3.0 nS MAX 3.0 nS MAX
10.0 CROSS TALK: 1MHz TO 100 MHz	40dB TYP.
11.0 CM TO CM ATTENUATION 30MHz TO 100MHz	35dB TYP.



NOTES

1.0 PINS WITHOUT ELECTRICAL CONNECTION ARE OMITTED.

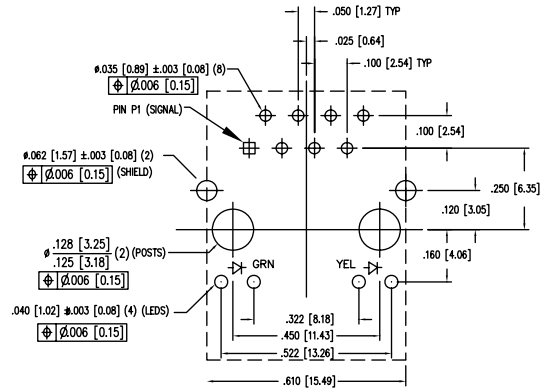
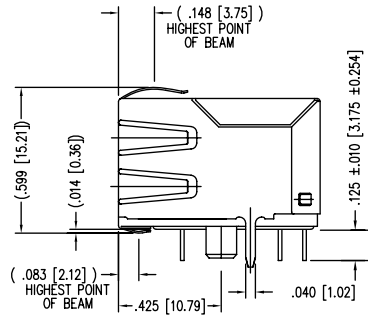
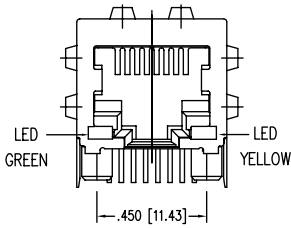
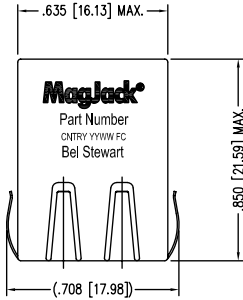
ORIGINATED BY SHE	DATE 07-04-05	MagJack 10/100BT TAB DOWN, SHIELDED	PART NO. / DRAWING NO. SI-60217-F	STANDARD DIM. TOL. IN INCH	[] METRIC DIM. AS REFERENCE	 COMPONENTS PLANNED Stewart Connector	
DRAWN BY BOW	DATE 01-24-08		FILE NAME SI-60217-F.DWG	.X .XX .XXX	UNIT : INCH [mm] SCALE : N/A		REV. : X3 SIZE : A4 PAGE : 1
DC002(2)032305 REV A0 09-10-2007			This document is electronically generated. This is a controlled copy if used internally		±0.005		



THE INFORMATION CONTAINED HEREIN IS CONSIDERED "PROPRIETARY" TO BEL FUSE INC. AND SHALL NOT BE COPIED, REPRODUCED OR DISCLOSED WITHOUT THE WRITTEN APPROVAL OF BEL FUSE INC.

LED SPECIFICATION			
STANDARD LED	WAVELENGTH	FORWARD V (MAX)	*(TYP)
GREEN	565 nm	2.5 V	2.2 V
YELLOW	590 nm	2.5 V	2.1 V

*WITH A FORWARD CURRENT OF 20 mA (TYP)



P.C.B. RECOMMENDED HOLE LAYOUT
SEEN FROM COMPONENT SIDE
ALL CENTERLINE DIMENSIONS ARE BASIC.

NOTES:

- CONNECTOR MATERIALS:
HOUSING: THERMOPLASTIC UL94-V0
CONTACT/SHIELD: COPPER ALLOY
SHIELD PLATING: NICKEL OR TIN
CONTACT PLATING: SELECTIVE GOLD,
50 μINCHES MIN. IN CONTACT AREA
- PIN NOT ELECTRICALLY CONNECTED MAYBE OMITTED.
SEE ELECTRICAL DRAWING FOR OMITTED PINS.
- TOLERANCES COMPLY WITH F.C.C. DIMENSION REQUIREMENTS.
- ALL TOLERANCES NOT OTHERWISE SPECIFIED TO BE ±.005 [0.13].
- REFLOW AND WAVE SOLDER COMPATIBLE -260°C FOR 10 SECONDS MAX.

ORIGINATED BY	DATE	TITLE
SHE	07-04-05	MagJack 10/100BT TAB DOWN, SHIELDED
DRAWN BY	DATE	
BOW	01-24-08	

PART NO. / DRAWING NO.	STANDARD DIM. TOL. IN INCH	[] METRIC DIM. AS REFERENCE
SI-60217-F	.X .XX .XXX ±0.005	UNIT : INCH [mm] REV. : X3 SCALE : N/A SIZE : A4 PAGE : 2
FILE NAME		
SI-60217-F.DWG		

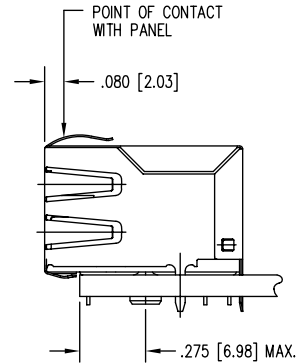
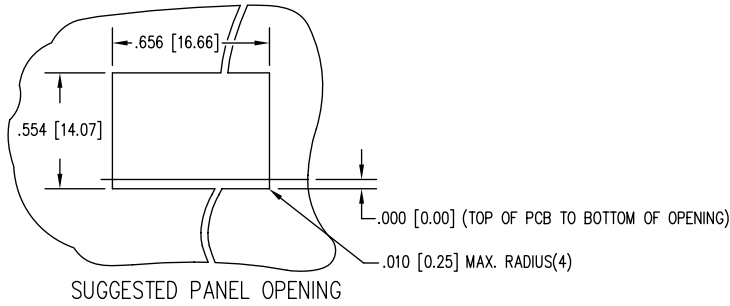
STANDARD DIM. TOL. IN INCH	[] METRIC DIM. AS REFERENCE
.X .XX .XXX ±0.005	UNIT : INCH [mm] REV. : X3 SCALE : N/A SIZE : A4 PAGE : 2

STANDARD DIM. TOL. IN INCH	[] METRIC DIM. AS REFERENCE
.X .XX .XXX ±0.005	UNIT : INCH [mm] REV. : X3 SCALE : N/A SIZE : A4 PAGE : 2





THE INFORMATION CONTAINED HEREIN IS CONSIDERED 'PROPRIETARY' TO BEL FUSE INC. AND SHALL NOT BE COPIED, REPRODUCED OR DISCLOSED WITHOUT THE WRITTEN APPROVAL OF BEL FUSE INC.



NOTES:

1. THE SUGGESTED PANEL OPENING IS INTENDED TO GIVE THE USER THE ABILITY TO HAVE REASONABLE JACK / PANEL CLEARANCES YET MAINTAIN RELIABLE GROUNDING CAPABILITY.
2. ALL TOLERANCES NOT OTHERWISE SPECIFIED TO BE ± 0.005 [0.13].

ORIGINATED BY	DATE	TITLE	PART NO. / DRAWING NO.	STANDARD DIM. TOL. IN INCH	[] METRIC DIM. AS REFERENCE	 COMPONENTS ARE MANUFACTURED IN CHINA Stewart Connector
SHE	07-04-05	MagJack 10/100BT TAB DOWN, SHIELDED	SI-60217-F	.X	UNIT : INCH [mm] REV. : X3	
DRAWN BY	DATE		FILE NAME	.XX	SCALE : N/A SIZE : A4	
BOW	01-24-08		SI-60217-F.DWG	.XXX	± 0.005 PAGE : 3	