

## Excellent Integrated System Limited

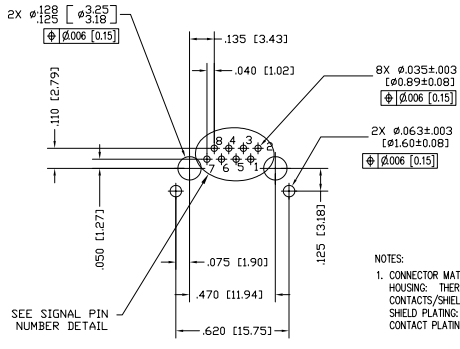
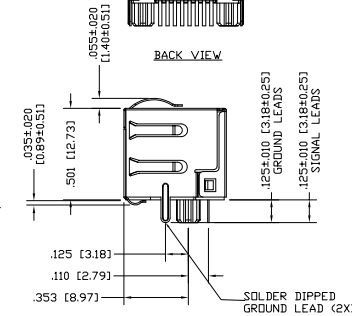
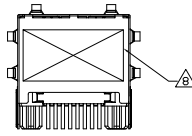
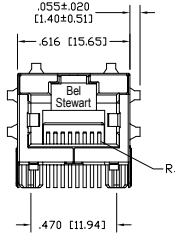
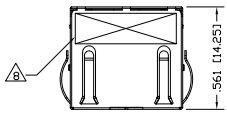
Stocking Distributor

Click to view price, real time Inventory, Delivery & Lifecycle Information:

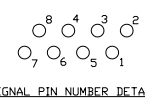
[Cinch Connectivity Solutions](#)  
[SS-60300-010](#)

For any questions, you can email us directly:  
[sales@integrated-circuit.com](mailto:sales@integrated-circuit.com)

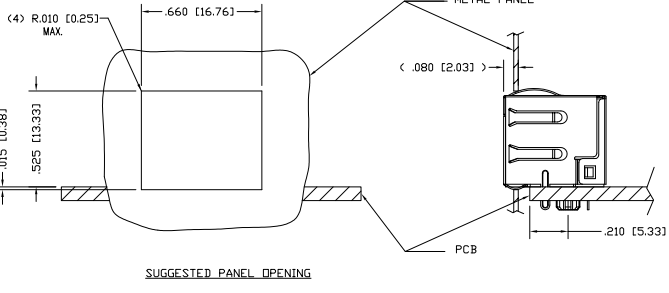
| DATE     | REV | ECN   | APP'D. BY |
|----------|-----|-------|-----------|
| 04-23-08 | A1  | 8406  | DHG       |
| 10-30-08 | A2  | 8597  | DHG       |
| 5-30-12  | A3  | 9481  | SMN       |
| 1-12-15  | A4  | 10180 | TRM       |



- NOTES:
- CONNECTOR MATERIALS:  
HOUSING: THERMOPLASTIC UL94 V-0  
CONTACTS/SHIELD: COPPER ALLOY  
SHIELD PLATING: NICKEL OR TIN  
CONTACT PLATING: SELECTIVE GOLD IN CONTACT AREA  
SEE CHART FOR PART NUMBER
  - DESIGNED FOR 10 GIGABIT APPLICATIONS.
  - DIMENSIONS AND TOLERANCES COMPLY WITH FCC/CFR 47, PART 68.
  - THE SUGGESTED PANEL OPENING IS INTENDED TO GIVE USER THE ABILITY TO HAVE REASONABLE JACK/PANEL CLEARANCES, YET MAINTAIN GROUNDING CAPABILITY. THESE VARIABLES CAN BE ADJUSTED IN EITHER DIRECTION BUT MAY CARRY SOME CONSEQUENCES IN THE FORM OF LOWER MATING FORCES OR TIGHTER ASSEMBLY TOLERANCES.
  - DIELECTRIC WITHSTANDING VOLTAGE (CONTACT TO SHIELD): 2250VDC
  - HIGH TEMPERATURE PLASTIC; IR REFLOW COMPATIBLE FOR 260°C
  - FOR PRODUCT SPECIFICATION SEE PRO26-01
  - LOGO, PART NUMBER AND DATE CODE LOCATED APPROX. IN THIS AREA.
  - FOR PROPER JACK FUNCTION AND PERFORMANCE, TIA-1096 COMPLIANT PLUGS MUST BE USED.



|                                |              |
|--------------------------------|--------------|
| 50 MICRO-INCHES [1.27um]       | SS-60300-010 |
| CONTACT PLATING IN MATING AREA | PART NUMBER  |



THIRD ANGLE PROJECTION

DO NOT SCALE DRAWING  
DRAWING IS SUBJECT TO CHANGE WITHOUT NOTICE

DIMENSIONS: INCHES (METRIC)

UNLESS OTHERWISE SPECIFIED TOLERANCES ARE ±.005 [0.13] ANGLES ARE ± 1°

SHEET NO. 1 OF 1



**stewart connector**  
a bel group

1118 Susquehanna Trail South  
Gen Rock, PA 17327-9199  
(717) 235-7512  
http://www.stewartconnector.com

TITLE: LOW PROFILE, HORIZONTAL SHIELDED JACK WITH PANEL GROUNDS, NO COMPENSATION

THIS DRAWING AND THE SUBJECT MATTER SHOWN THEREON ARE CONFIDENTIAL AND THE PROPERTY OF STEWART CONNECTOR AND SHALL NOT BE REPRODUCED, COPIED, OR USED IN ANY MANNER WITHOUT WRITTEN CONSENT OF STEWART CONNECTOR. THIS PRODUCT MAY BE PROTECTED BY ONE OR MORE OF THE FOLLOWING US PATENTS: 579142 621731 636159 641626 6500097 687722 694507 704500 708009 758060 768000 OTHER PATENTS MAY BE PENDING.

|                   |                |
|-------------------|----------------|
| DRW. BY: DHG      | DATE: 12-01-06 |
| APP'D. BY: TRM    | DATE: 12-01-06 |
| DRG. NO. CT600045 | REV. A4        |

REV. 4/15/03